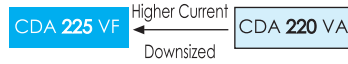




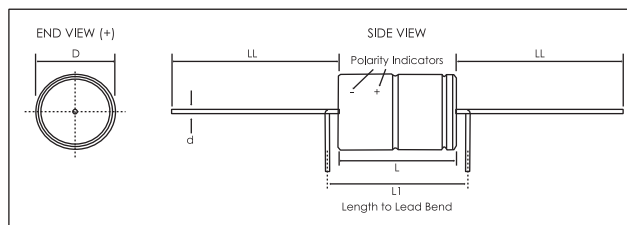
- 2000 hours at +150°C
- Extremely high ripple current capability
- High vibration stability
- AEC-Q200 automotive qualified, RoHS Compliant



Items	Characteristics		
Operating Temperature Range (°C)	-40 ~ +125, (-40 ~ +150 at derated voltage)		
Voltage Range (V)	25 ~ 63		
Capacitance Range (µF)	470 ~ 6300		
Capacitance Tolerance (20°C, 100Hz)	-10/+30%, (± 20% select values)		
Leakage Current (µA)	After 5 minutes at 20°C application of rated voltage, leakage current is not more than 0.003CV+4.0 . C: Nominal Capacitance(µF) V: Rated Voltage(V)		
Equivalent Series Resistance (20°C, 100Hz/100kHz)	Less than values shown in the standard ratings.		
Load Life	Ripple Current: Maximum ripple current specified in the standard ratings. Voltage: The sum of DC voltage and the peak AC voltage must not exceed the rated voltage of capacitor.		
	D(mm)	+125°C Life Time (hours)	+150°C Life Time (hours)
	16	6300	1500
	18/20	8400	2000
	Capacitance Change: Within 15% of the initial value. Equivalent Series Resistance: Not more than 200% of the initial value. Leakage Current: Not more than the initial specified value. (All specifications should be test at +20°C Life ambient temperature.)		
Shelf Life	5000 hours at +105°C or 10 years at +40°C 0 VDC		
Vibration Test	Procedure: Displacement amplitude max.1.5mm, acceleration max.20 g, duration 3×2h, frequency range 10 ~ 2000 Hz (capacitor clamped by body). Requirements: No leakage of electrolyte or other visible damage. Deviations in capacitance from initial value must not exceed $\Delta C/C < 5\%$.		
Standards	IEC 60384-4, AEC-Q200		

AXIAL/CROWN

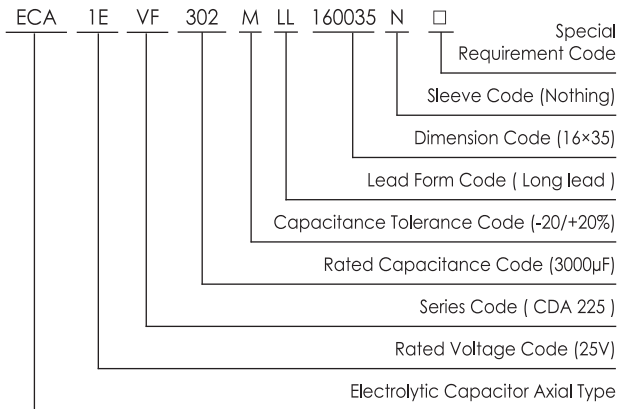
Dimensions mm



Dimension Code	D	L	L1	d	Bulk LL	Approximate Weight (g)
	±0.5	±1.0	Min.	±0.03	-2/+2	
160027	16	26.5	33	1.0	40	8
160035	16	34.5	41	1.0	40	11
200027	20	26.5	33	1.0	40	13
200035	20	34.5	41	1.0	40	20
200043	20	42.5	49	1.0	40	24

Note: L1 is Jianghai's recommendation for minimum distance between symmetrical lead bend.

Part Number System (Ex:25V3000μF)



Ripple Current Coefficient

Frequency (Hz)	100	300	1K	5K	100K
Coefficient	0.35	0.57	0.80	1.00	1.04

Ratings for CDA 225 Series

U _R Code		Rated Capacitance	Max ESR				Ripple Current					Size ΦD x L	P/N
125℃	150℃		20℃, 100Hz	20℃, 100Hz	20℃, 100kHz	125~150℃, 5~100kHz	Max			Rated	Max		
(V)	(V)	(μF)	(mΩ)	(mΩ)	(mΩ)	(Arms)1*	(Arms)2*	(Arms)2*	(Arms)	(Arms)	(Arms)	(mm)	-
25 (1E)	18 (1D)	2200	60	34	11.9	17.3	11.0	4.9	6.1	7.7	16x27	ECA1EVF222M □□160027	
		3000	44	25	9.2	19.7	12.5	5.6	7.4	9.4	16x35	ECA1EVF302M □□160027	
		3600	38	22	9.0	23.5	14.9	6.7	7.6	9.6	20x27	ECA1EVF362Q □□200027	
		4800	28	16	7.3	26.7	16.9	7.6	9.2	11.7	20x35	ECA1EVF482Q □□200035	
		6300	24	14	6.5	28.3	17.9	8.0	10.2	12.9	20x43	ECA1EVF632Q □□200043	
40 (1G)	32 (1F)	1200	80	36	13.0	16.6	10.5	4.7	5.8	7.4	16x27	ECA1GVF122M □□160027	
		1800	55	25	9.6	19.3	12.2	5.5	7.2	9.2	16x35	ECA1GVF182M □□160035	
		2000	50	23	9.5	22.8	14.4	6.5	7.3	9.3	20x27	ECA1GVF202Q □□200027	
		3000	35	17	7.8	25.8	16.3	7.3	8.9	11.3	20x35	ECA1GVF302Q □□200035	
		3900	28	14	6.8	27.7	17.5	7.8	10.0	12.7	20x43	ECA1GVF392Q □□200043	
63 (1J)	54 (1Y)	470	156	52	24.3	12.1	7.7	3.4	4.2	5.3	16x27	ECA1JVF471Q □□160027	
		680	109	37	18.7	13.8	8.7	3.9	5.3	6.7	16x35	ECA1JVF681Q □□160035	
		900	86	31	16.1	18.0	11.4	5.1	5.8	7.3	20x27	ECA1JVF901Q □□200027	
		1400	57	22	11.9	20.9	13.2	5.9	7.3	9.2	20x35	ECA1JVF142Q □□200035	
		1800	45	18	10.0	22.8	14.4	6.5	8.3	10.5	20x43	ECA1JVF182Q □□200043	

Note: 1* Capacitor-mounted with low thermal resistance path (heat-sink).

2* Valid for capacitor supplied with reduced DC voltage, capacitor-mounted with low thermal resistance path.

AXIAL/CROWN