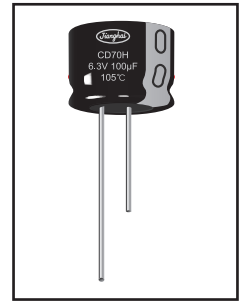
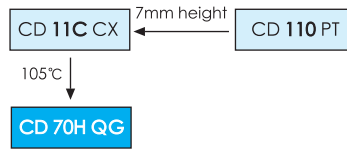


1000h at 105°C

- Load life of 1000 hours at 105°C
- 7mm Products
- VTR, digital cameras, car radios, micro cassette tape recorder etc

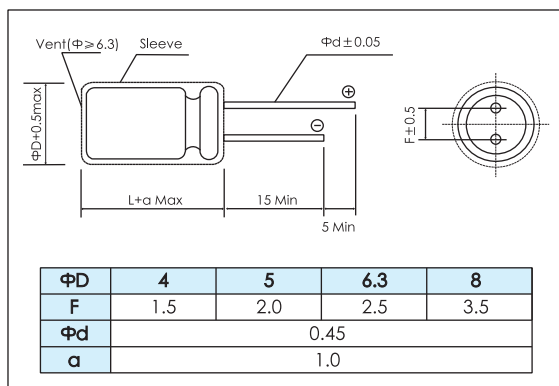


Items	Characteristics						
Operating Temperature Range (°C)	-55 ~ +105						
Capacitance Tolerance (20°C, 120Hz)	± 20%						
Leakage Current (µA)	After 2 minutes at 20°C application of rated voltage, leakage current is not more than 0.01CV or 3, whichever is greater. C: Nominal Capacitance (µF) V: Rated Voltage (V)						
Dissipation Factor (20°C, 120Hz)	Rated Voltage (V)	6.3	10	16	25	35	50
	Tan δ (max)	0.22	0.19	0.16	0.14	0.12	0.10
Stability at Low Temperature (Impedance Ratio at 120Hz)	Rated Voltage (V)	6.3	10	16	25	35	50
	Impedance Ratio	Z _{-25°C} / Z _{+20°C}	3		2		
		Z _{-40°C} / Z _{+20°C}	8	5	4	3	

	Useful Life		Load Life	Endurance Test	Shelf Life
Lifetime	2000h	130000h	1000h	1000h	500h
Leakage Current	Not more than specified value		Not more than specified value	Not more than specified value	Not more than specified value
Capacitance Change	Within ± 30% of initial value		Within ± 20% of initial value	Within ± 20% of initial value	Within ± 20% of initial value
Dissipation Factor	Not more than 300% of specified value		Not more than 200% of specified value	Not more than 200% of specified value	Not more than 200% of specified value
Condition: Applied Voltage Applied Current Applied Temperature	U _R I _R 105°C	U _R 1.2 × I _R 40°C	U _R I _R 105°C	U _R I _R = 0 105°C	After test: U _R to be applied for 30min >24h before measurement

Dimensions

mm



Frequency Coefficient

Frequency Rated Voltage(V)	50-60Hz	120Hz	1kHz	10k~100kHz
	6.3 ~ 16	0.68	0.72	0.92
25 ~ 35	0.48	0.63	0.80	1.0
50	0.45	0.50	0.70	1.0

Temperature Coefficient

Temperature(°C)	+85	+105
Coefficient	1.35	1

Ratings for CD 70H QG Series

U_s (Surge Voltage) Code	Rated Capacitance	Max ESR 20°C, 120Hz	Rated Ripple Current 105°C, 100kHz	Size ΦD x L	P/N
(V)	(μF)	(Ω)	(mA _{rms})	(mm)	-
6.3 (7.2) 0J	22	13	42	4×7	ECR0JQG220M□□040007
	33	9	52	5×7	ECR0JQG330M□□050007
	47	6	64	5×7	ECR0JQG470M□□050007
	100	3	96	6.3×7	ECR0JQG101M□□063007
10 (13) 1A	22	11	49	5×7	ECR1AQG220M□□050007
	33	8	60	5×7	ECR1AQG330M□□050007
	47	5	95	6.3×7	ECR1AQG470M□□063007
16 (20) 1C	10	21	39	4×7	ECR1CQG100M□□040007
	22	10	54	5×7	ECR1CQG220M□□050007
	33	6	83	6.3×7	ECR1CQG330M□□063007
	47	5	95	6.3×7	ECR1CQG470M□□063007
25 (32) 1E	2.2	84	21	4×7	ECR1EQG2R2M□□040007
	3.3	56	25	4×7	ECR1EQG3R3M□□040007
	4.7	40	47	5×7	ECR1EQG4R7M□□050007
	10	19	84	6.3×7	ECR1EQG100M□□063007
	22	8	90	6.3×7	ECR1EQG220M□□063007
35 (44) 1V	2.2	72	23	4×7	ECR1VQG2R2M□□040007
	3.3	48	25	4×7	ECR1VQG3R3M□□040007
	4.7	34	48	5×7	ECR1VQG4R7M□□050007
	10	16	90	6.3×7	ECR1VQG100M□□063007
50 (63) 1H	0.1	1327.0	6	4×7	ECR1HQG0R1M□□040007
	0.22	603.2	8	4×7	ECR1HQGR22M□□040007
	0.33	402.1	10	4×7	ECR1HQGR33M□□040007
	0.47	282.3	12	4×7	ECR1HQGR47M□□040007
	1	132.7	16	4×7	ECR1HQG010M□□040007
	2.2	60.3	25	4×7	ECR1HQG2R2M□□040007
	3.3	40.2	28	4×7	ECR1HQG3R3M□□040007
	4.7	28.2	48	5×7	ECR1HQG4R7M□□050007
	10	13.3	75	6.3×7	ECR1HQG100M□□063007

Customer products are available on request.

Lifetime Diagram

