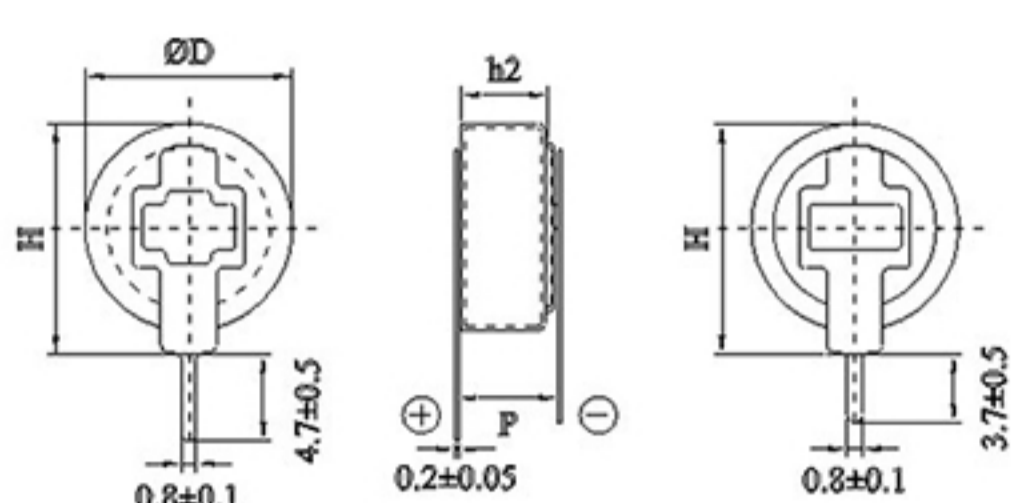
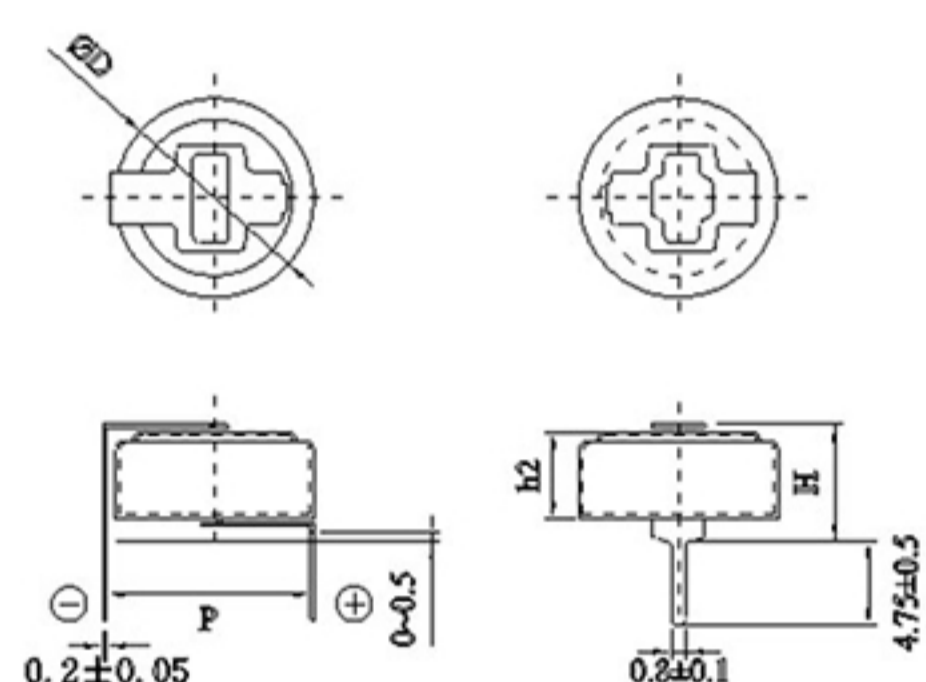


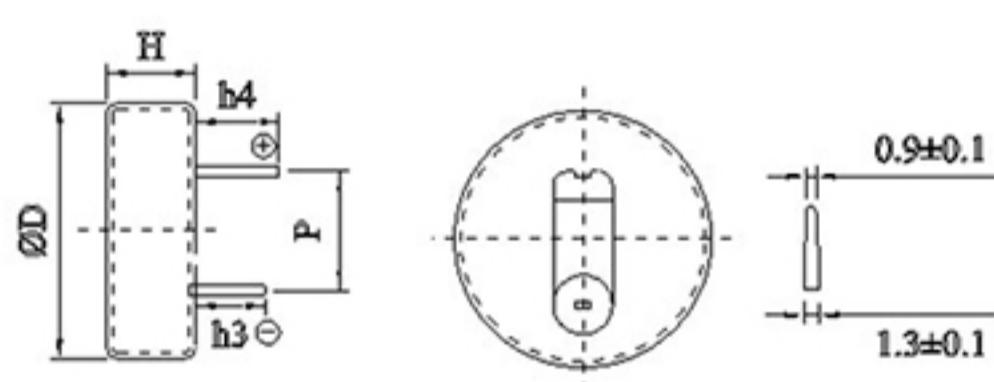
| 型号 | 额定电压 | 容量 F | 容量允许偏差 | 内阻 | | 尺寸 | |
|-----------------|------|------|--------|---------|-----|-----------|------------|
| | | | | AC@1kHz | DC | ΦD×L | P±0.5 (mm) |
| BCT003R6C104FS | 3.6 | 0.1 | ±20% | 40 | 60 | 13.5×6.6 | 5 |
| BCT003R6H104FS | 3.6 | 0.1 | ±20% | 40 | 60 | 11.5×6.0 | 10 |
| BCT003R6V104FS | 3.6 | 0.1 | ±20% | 40 | 60 | 11.5×12.5 | 5 |
| BCT003R6C224FS | 3.6 | 0.22 | ±20% | 40 | 60 | 13.5×6.6 | 5 |
| BCT003R6H224FS | 3.6 | 0.22 | ±20% | 40 | 60 | 11.5×6.0 | 10 |
| BCT003R6V224FS | 3.6 | 0.22 | ±20% | 40 | 60 | 11.5×12.5 | 5 |
| BCT003R6C334FAS | 3.6 | 0.33 | ±20% | 50 | 75 | 13.5×6.6 | 5 |
| BCT003R6H334FAS | 3.6 | 0.33 | ±20% | 50 | 75 | 11.5×6.0 | 10 |
| BCT003R6V334FAS | 3.6 | 0.33 | ±20% | 50 | 75 | 11.5×12.5 | 5 |
| BCT003R6C334FBS | 3.6 | 0.33 | ±20% | 50 | 75 | 13.5×7.3 | 5 |
| BCT003R6H334FBS | 3.6 | 0.33 | ±20% | 50 | 75 | 11.5×6.0 | 10 |
| BCT003R6V334FBS | 3.6 | 0.33 | ±20% | 50 | 75 | 11.5×12.5 | 5 |
| BCT003R6C474FS | 3.6 | 0.47 | ±20% | 40 | 60 | 13.5×7.3 | 5 |
| BCT003R6H474FS | 3.6 | 0.47 | ±20% | 40 | 60 | 11.5×6.0 | 10 |
| BCT003R6V474FS | 3.6 | 0.47 | ±20% | 40 | 60 | 11.5×12.5 | 5 |
| BCT005R5V224FBS | 5.5 | 0.22 | ±20% | 75 | 112 | 11.5×12.5 | 7.5 |
| BCT005R5V334FS | 5.5 | 0.33 | ±20% | 60 | 90 | 11.5×12.5 | 7.5 |



V型

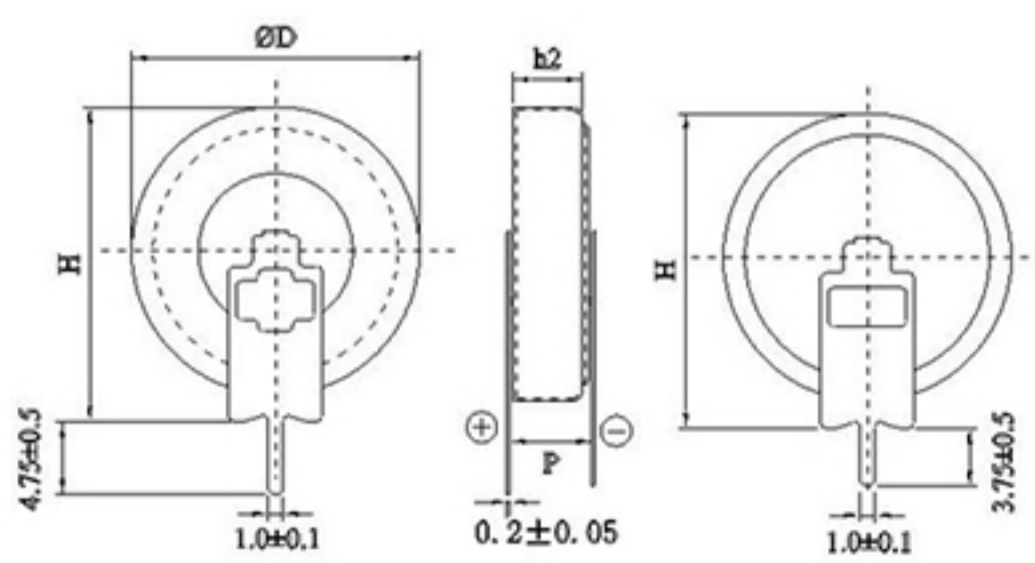


H型

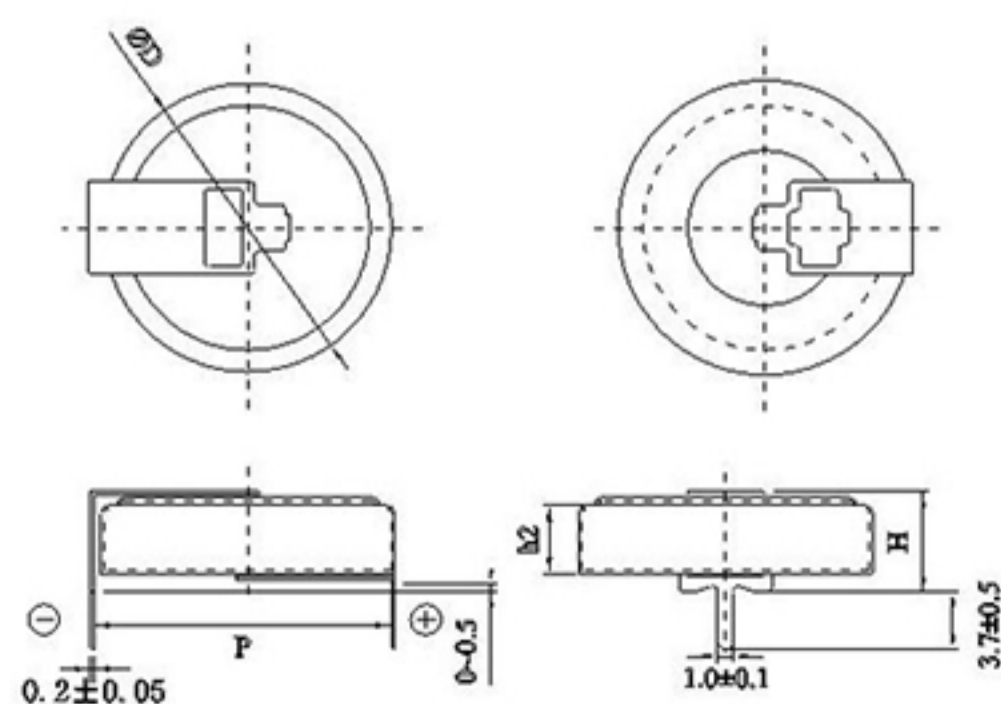


C型

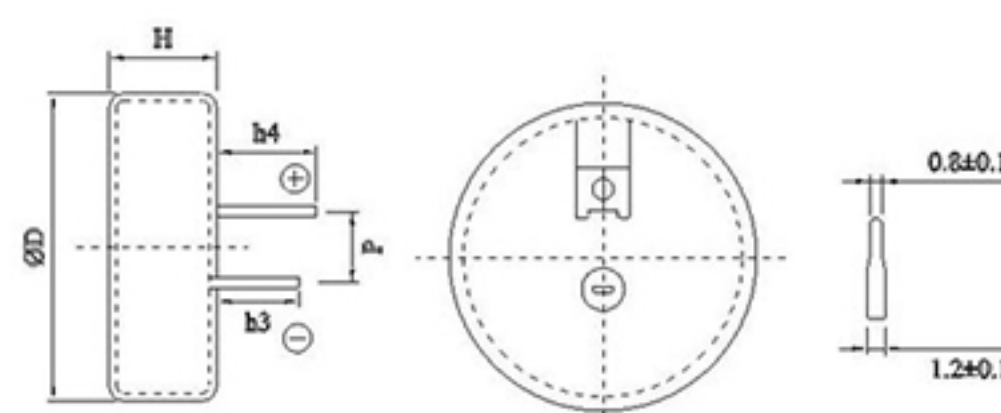
| 型号 | 额定电压 | 容量 F | 容量允许偏差 | 内阻 | | 尺寸 | |
|----------------|------|------|--------|---------|----|----------|------------|
| | | | | AC@1kHz | DC | ΦD×L | P±0.5 (mm) |
| BCT003R6C105FS | 3.6 | 1 | ±20% | 15 | 22 | 20.5×7.6 | 5 |
| BCT003R6H105FS | 3.6 | 1 | ±20% | 15 | 22 | 19×6.5 | 20 |
| BCT003R6V105FS | 3.6 | 1 | ±20% | 15 | 22 | 19×20.5 | 5 |
| BCT003R6C155FS | 3.6 | 1.5 | ±20% | 10 | 15 | 20.5×7.6 | 5 |
| BCT003R6H155FS | 3.6 | 1.5 | ±20% | 10 | 15 | 19×6.5 | 20 |
| BCT003R6V155FS | 3.6 | 1.5 | ±20% | 10 | 15 | 19×20.5 | 5 |
| BCT005R5V684FS | 5.5 | 0.68 | ±20% | 30 | 45 | 19×20.5 | 8 |
| BCT005R5C684FS | 5.5 | 0.68 | ±20% | 45 | 67 | 20.5×10 | 5 |
| BCT005R5C105FS | 5.5 | 1 | ±20% | 20 | 30 | 20.5×10 | 5 |
| BCT005R5V105FS | 5.5 | 1 | ±20% | 25 | 37 | 19×20.5 | 8 |



V型



H型



C型