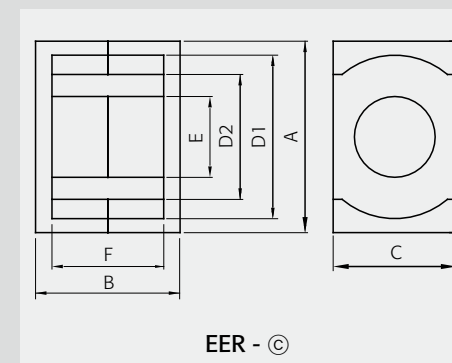
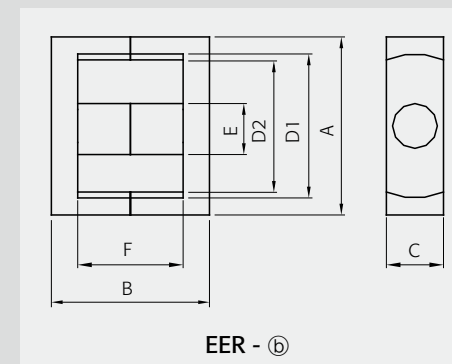
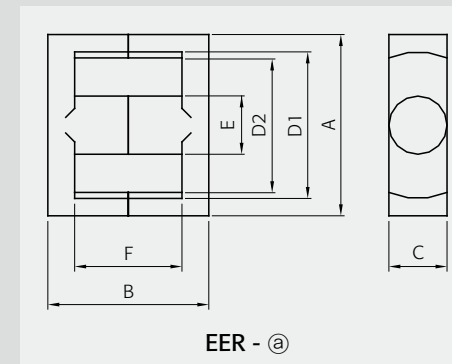
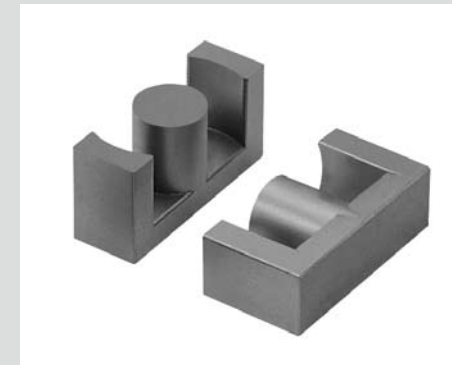


EER CORES



Part No.		EER0905S	EER1104S	EER1105S	EER1406S
Type		EER - ⓐ	EER - ⓐ	EER - ⓐ	EER - ⓐ
Dimensions in mm	A	9.35 ±0.15	10.85 ±0.17	10.85 ±0.17	14.50 ±0.20
	B	4.90 ±0.10	3.85 ±0.10	4.90 ±0.10	5.90 ±0.10
	C	4.90 ±0.10	5.90 ±0.10	5.90 ±0.10	6.75 ±0.10
	D1	7.50 min.	8.70 min.	8.70 min.	11.60 min.
	D2	7.00 min.	7.90 min.	7.90 min.	
	E	3.40 ±0.10	4.13 ±0.12	4.13 ±0.12	4.75 ±0.10
	F	3.35 ±0.15	2.10 ±0.15	3.15 ±0.15	3.30 ±0.20

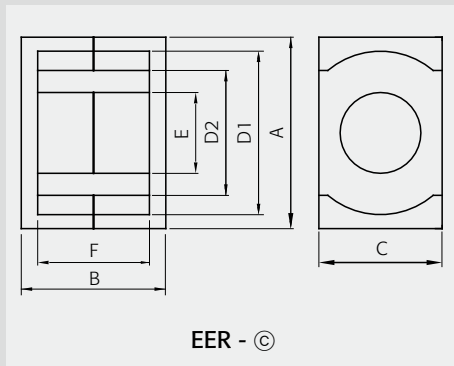
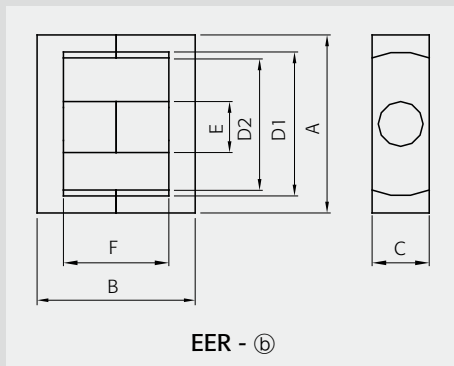
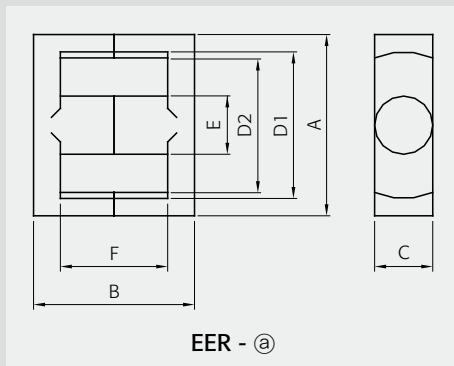
Core Set Parameters		EER0905S	EER1104S	EER1105S	EER1406S
C1(mm ⁻¹)		1.671	1.077	1.235	1.080
Le(mm)		14.2	12.6	14.7	19.0
Ae(mm ²)		8.5	11.7	11.9	17.6
Ve(mm ³)		120	147	174	333
Ac(mm ²)		9.1	13.4	13.4	18
Aw(mm ²)		7.2	5.0	7.5	11.6
W(g/set)		0.6	0.8	0.9	1.8

Electrical Characteristics ⁽¹⁾⁽²⁾	AL value	PL-7	PL-9	PL-11	PL-13	PL-15
		Core loss	1100	1300	1200	1390
		1750	2030	1800	2160	1800
		1500	1750	1600	1870	1600
		2000	2300	2100	2450	2100
		0.07	0.06	0.06	0.06	0.05
		0.08	0.07	0.07	0.07	0.07
		0.10	0.09	0.09	0.08	0.08
		0.18	0.17	0.17	0.16	0.15

Note : 1) Core Loss
 - Unit : Watt max.
 - Measuring conditions
 PL-7, PL-11, PL-15 : 100kHz, 200mT, at 100°C
 PL-9, PL-13 : 100kHz, 200mT, at 80°C
 1) 100kHz, 100mT, at 100°C
 2) 25kHz, 200mT, at 100°C

2) AL value
 - Unit : nH/N²
 - Measuring conditions : 1kHz, 0.1V, 23°C
 - Tolerance : ±25%

EER CORES



Part No.	EER1916S	EER2116S	EER2429S	EER2619S	
Type	EER - (a)	EER - (b)	EER - (a)	EER - (a)	
Dimensions in mm	A	19.00 ±0.30	21.40 ±0.50	24.40 ±0.50	25.50 ±0.50
	B	8.05 ±0.20	16.20 ±0.30	28.90 ±0.30	19.00 ±0.40
	C	5.10 ±0.20	14.00 ±0.25	8.50 ±0.30	7.50 ±0.20
	D1	14.50 ±0.30	18.00 ±0.40	18.60 ±0.60	19.80 min.
	D2			17.60 ref.	
	E	5.10 ±0.20	9.00 ±0.20	8.50 ±0.20	7.50 ±0.15
	F	5.65 ±0.15	11.20 ±0.40	20.20 ±0.40	12.80 ±0.40

Core Set Parameters	EER1916S	EER2116S	EER2429S	EER2619S
C1(mm ⁻¹)	1.781	0.625	1.056	1.090
Le(mm)	39.9	42.5	62.3	48.3
Ae(mm ²)	22.4	68.0	59.0	44.3
Ve(mm ³)	893.7	2890	3680	2140
Ac(mm ²)	20.4	63.6	56.7	44.2
Aw(mm ²)	53.1	51.3	102.0	81.9
W(g/set)	4.5	14.1	19.3	10.8

Electrical Characteristics ⁽¹⁾⁽²⁾	AL value	Core loss			
		PL-7	PL-9	PL-11	PL-13
Core loss	PL-7	1272	3300	2100	2000
	PL-9	1590	3800	2500	2300
	PL-11	1325	3400	2200	2100
	PL-13	1690	4050	2670	2450
	PL-15	1325	3400	2200	2100
Core loss	PL-7	0.49	1.59	2.02	1.18
	PL-9	0.45	1.45	1.84	1.07
	PL-11	0.45	1.45	1.84	1.07
	PL-13	0.43	1.39	1.77	1.03
	PL-15	0.40	1.30	1.66	0.96

Note : 1) Core Loss
 - Unit : Watt max.
 - Measuring conditions
 PL-7, PL-11, PL-15 : 100kHz, 200mT, at 100°C
 PL-9, PL-13 : 100kHz, 200mT, at 80°C
 1) 100kHz, 100mT, at 100°C
 2) 25kHz, 200mT, at 100°C

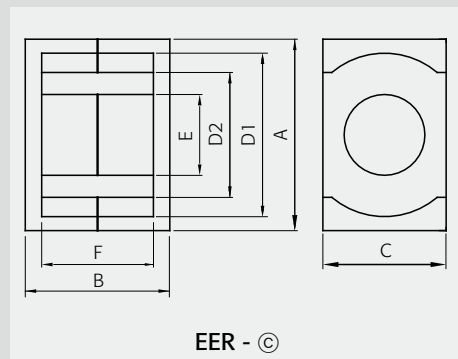
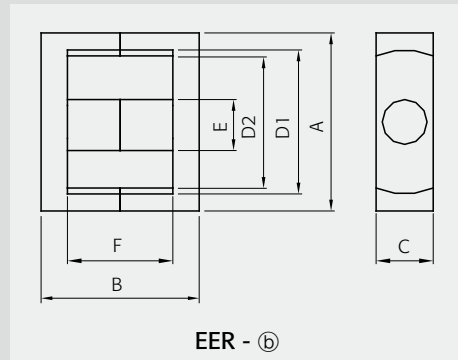
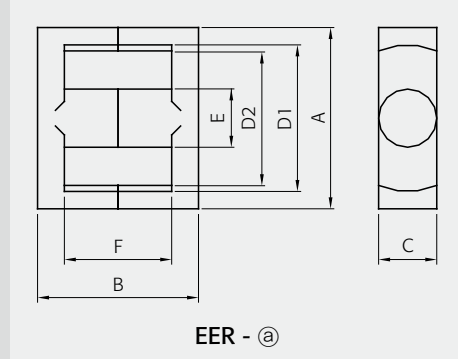
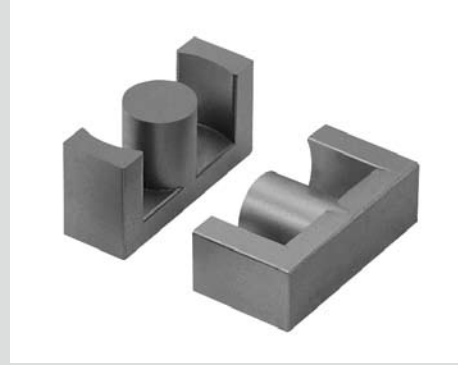
2) AL value
 - Unit : nH/N²
 - Measuring conditions : 1kHz, 0.1V, 23°C
 - Tolerance : ±25%

	EER2817S	EER2819S	EER2820S	EER2828N	EER2828S	EER2834N	EER2834S	EER3016S	EER3016W
Type	EER - (b)	EER - (b)	EER - (b)	EER - (b)	EER - (b)	EER - (b)	EER - (b)	EER - (c)	EER - (c)
A	28.50 ^{+0.60} _{-0.50}	28.50 ^{+0.60} _{-0.50}	28.50 ^{+0.50} _{-0.40}	28.50 ^{+0.60} _{-0.50}	28.50 ^{+0.60} _{-0.50}	28.50 ^{+0.60} _{-0.50}	28.50 ^{+0.60} _{-0.50}	30.00 ±0.40	30.00 ±0.50
B	8.80 ±0.20	9.70 ±0.15	20.00 ±0.30	28.00 ±0.40	28.00 ±0.40	33.80 ±0.50	33.80 ±0.50	16.00 ±0.40	16.40 ±0.30
C	11.40 ±0.25	11.40 ±0.25	11.40 ±0.25	11.40 ±0.25	11.40 ±0.25	11.40 ±0.25	11.40 ±0.25	20.00 ±0.30	20.00 ±0.30
D1	21.40 min.	21.40 min.	21.40 min.	21.80 min.	21.20 min.	21.80 min.	21.20 min.	26.00 ±0.40	26.00 ±0.40
D2	19.10 min.	19.10 min.	19.10 min.	19.95 min.	18.90 min.	19.95 min.	19.50 min.	19.45 ref.	
E	9.90 ±0.25	9.90 ±0.25	9.90 ±0.25	9.90 ±0.25	9.90 ±0.25	9.90 ±0.25	9.90 ±0.25	11.00 ±0.20	11.00 ±0.20
F	5.20 ^{+0.25} _{-0.00}	6.10 ^{+0.25} _{-0.00}	12.80 ^{+0.50} _{-0.00}	19.30 ±0.50	19.30 ±0.50	25.00 ±0.50	25.00 ^{+0.60} _{-0.50}	10.60 ±0.40	11.00 ±0.40

Core Set Parameters	EER2817S	EER2819S	EER2820S	EER2828N	EER2828S	EER2834N	EER2834S	EER3016S	EER3016W
C1(mm ⁻¹)	0.542	0.596	0.611	0.758	0.733	0.900	0.871	0.396	0.404
Le(mm)	43.9	48.3	49.5	63.4	63.0	74.8	74.4	43.2	44.0
Ae(mm ²)	81.0	81.0	81.0	83.6	86.0	83.1	85.4	109.0	109.0
Ve(mm ³)	3556	3910	4010	5300	5410	6220	6360	4740	4796
Ac(mm ²)	77	102	77	77	77	77	77	95	95
Aw(mm ²)	60.0	74.1	77.9	120.0	114.0	155.0	148.0	79.5	80.0
W(g/set)	19.0	20.6	21.6	27.8	28.9	33.2	32.9	27.1	258.0

Electrical Characteristics ⁽¹⁾⁽²⁾	AL value	Core loss								
		PL-7	PL-9	PL-11	PL-13					
Core loss	PL-7	3850	3500	3430	2700	2730	2400	2400	5700	5280
	PL-9	4813	4375	4150	3150	3200	2700	2700	6700	6600
	PL-11	4010	3646	3600	2800	2800	2500	2500	5900	5500
	PL-13	5130	4660	4420	3360	3410	2880	2880	7140	7040
	PL-15	4010	3646	3600	2800	2800	2500	2500	5900	5500
Core loss	PL-7	1.96	2.15	2.21	2.92	2.98	3.42	3.50	2.61	2.64
	PL-9	1.78	1.96	2.01	2.65	2.71	3.11	3.18	2.37	2.40
	PL-11	1.78	1.96	2.01	2.65	2.71	3.11	3.18	2.37	2.40
	PL-13	1.71	1.88	1.92	2.54	2.60	2.99	3.05	2.28	2.30
	PL-15	1.60	1.76	1.80	2.39	2.43	2.80	2.86	2.13	2.16

EER CORES



Part No.	EER3019NA	EER3024N	EER3032S	EER3119N	
Type	EER - Ⓒ	EER - Ⓒ	EER - Ⓐ	EER - Ⓒ	
Dimensions in mm	A	30.30 ±0.50	30.00 ±0.50	29.80 ±0.80	31.50 ±0.50
	B	19.20 ±0.30	23.80 ±0.40	31.60 ±0.60	19.00 ±0.30
	C	20.30 ±0.30	20.30 ±0.30	9.50 ±0.30	20.30 ±0.30
	D1	25.70 ±0.40	25.40 ±0.40	22.70 ±0.70	26.90 ±0.40
	D2	21.50 ref.	19.00 ref.	21.40 ref.	20.00 min.
	E	13.30 ±0.20	13.30 ±0.30	9.50 ±0.30	13.30 ±0.20
	F	13.20 ±0.40	18.20 ±0.40	22.00 ±0.60	13.60 ±0.30

Core Set Parameters	EER3019NA	EER3024N	EER3032S	EER3119N
C1(mm ⁻¹)	0.428	0.381	0.928	0.421
Le(mm)	55.9	52.2	70.7	53.3
Ae(mm ²)	130.7	137.0	76.2	126.6
Ve(mm ³)	7306	7151	5390	6714
Ac(mm ²)	138.9	138.9	70.9	138.9
Aw(mm ²)	81.8	114.7	145.0	92.5
W(g/set)	38.0	41.4	28.3	36.2

Electrical Characteristics ⁽¹⁾⁽²⁾	AL value	EER3019NA	EER3024N	EER3032S	EER3119N
		PL-7	4500	5500	2300
	PL-9	5625	6400	2750	6875
	PL-11	4688	5700	2400	5729
	PL-13	6000	6820	2930	7330
	PL-15	4688	5700	2400	5729
Core loss	PL-7	4.02	3.93	2.96	3.69
	PL-9	3.65	3.58	2.70	3.36
	PL-11	3.65	3.58	2.70	3.36
	PL-13	3.51	3.43	2.59	3.22
	PL-15	3.29	3.22	2.43	3.02

Note : 1) Core Loss
 - Unit : Watt max.
 - Measuring conditions
 PL-7, PL-11, PL-15 : 100kHz, 200mT, at 100°C
 PL-9, PL-13 : 100kHz, 200mT, at 80°C
 1) 100kHz, 100mT, at 100°C
 2) 25kHz, 200mT, at 100°C

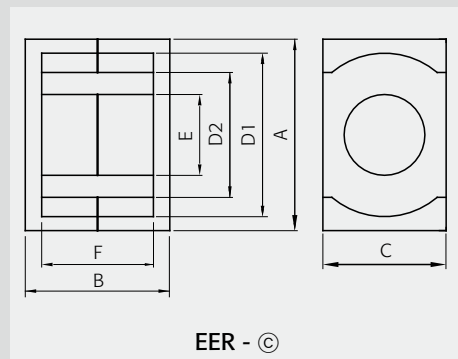
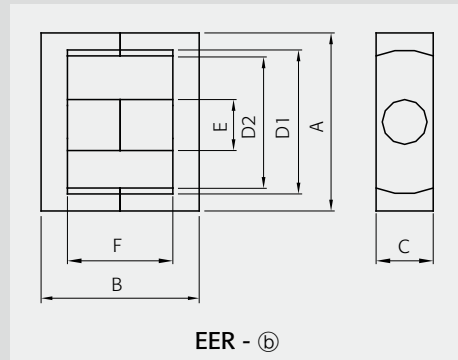
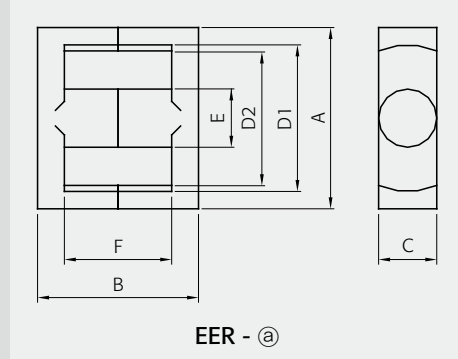
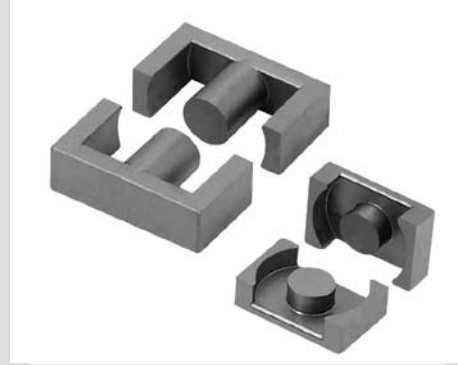
2) AL value
 - Unit : nH/N²
 - Measuring conditions : 1kHz, 0.1V, 23°C
 - Tolerance : ±25%

	EER3121N	EER3124N	EER3124NS	EER3124S	EER3220S	EER3334S	EER3335S	EER3426S	EER3435S	
Type	EER - Ⓒ	EER - Ⓒ	EER - Ⓒ	EER - Ⓑ	EER - Ⓑ	EER - Ⓑ	EER - Ⓑ	EER - Ⓐ	EER - Ⓐ	
Dimensions in mm	A	31.50 ±0.50	31.50 ±0.50	31.50 ±0.50	31.00 ±0.50	32.00 ±0.50	33.00 ±0.50	33.00 ±0.50	34.20 ±0.80	34.20 ±0.80
	B	20.80 ±0.30	23.80 ±0.30	24.40 ±0.30	23.80 ±0.30	20.50 ±0.40	17.00 ±0.30	34.60 ±0.60	26.00 ±0.40	34.60 ±0.40
	C	20.30 ±0.30	20.30 ±0.30	20.30 ±0.30	12.30 ±0.30	11.40 ±0.25	13.80 ±0.25	13.80 ±0.25	10.80 ±0.30	10.80 ±0.30
	D1	26.90 ±0.40	26.90 ±0.40	26.90 ±0.40	23.60 ±0.50	25.50 ±0.50	25.00 ±0.50	25.00 ±0.50	26.30 ±0.70	26.30 ±0.70
	D2	20.00 min.	20.00 min.	20.00 min.		23.50 min.	22.00 ref.	22.00 ref.	24.15 min.	24.15 min.
	E	13.30 ±0.20	13.30 ±0.20	13.30 ±0.20	11.00 ±0.25	9.90 ±0.25	12.50 ±0.25	12.50 ±0.25	10.80 ±0.30	10.80 ±0.30
	F	15.40 ±0.30	18.40 ±0.30	18.40 ±0.30	14.90 ±0.30	11.70 ±0.40	12.50 ±0.25	25.60 ±0.50	15.60 ±0.60	24.20 ±0.80

Core Set Parameters	EER3121N	EER3124N	EER3124NS	EER3124S	EER3220S	EER3334S	EER3335S	EER3426S	EER3435S
C1(mm ⁻¹)	0.447	0.489	0.474	0.584	0.612	0.664	0.626	0.629	0.814
Le(mm)	56.9	62.8	63.8	57.2	53.1	78.4	78.3	61.9	79.0
Ae(mm ²)	127.4	128.6	134.5	97.9	86.8	118.1	125.0	98.4	97.0
Ve(mm ³)	7240	8070	8580	5600	4610	9250	9810	6080	7660
Ac(mm ²)	138.9	138.9	138.9	95	91.3	122.7	123	91.6	91.6
Aw(mm ²)	104.7	125.1	125.1	93.9	77.0	156.3	160.0	120.0	187.0
W(g/set)	38.0	41.5	42.0	30.1	25.3	48.9	50.0	32.0	38.8

Electrical Characteristics ⁽¹⁾⁽²⁾	AL value	EER3121N	EER3124N	EER3124NS	EER3124S	EER3220S	EER3334S	EER3335S	EER3426S	EER3435S
		PL-7	4500	4500	4500	3400	2720	3900	3400	3000
	PL-9	5600	5620	5630	3900	3400	4875	4050	3600	3000
	PL-11	4700	4650	4700	3500	2830	4063	3500	3100	2600
	PL-13	6000	5950	6000	4160	3600	5200	4320	3840	3200
	PL-15	5600	4650	4700	3500	2830	4063	3500	3100	2600
Core loss	PL-7	3.98	4.44	4.72	3.08	2.54	5.09	5.40	3.34	4.21
	PL-9	3.62	4.04	4.29	2.80	2.31	4.63	4.91	3.04	3.83
	PL-11	3.62	4.04	4.29	2.80	2.31	4.63	4.91	3.04	3.83
	PL-13	3.48	3.87	4.12	2.69	2.21	4.44	4.71	2.92	3.68
	PL-15	3.26	3.63	3.86	2.52	2.07	4.16	4.41	2.74	3.45

EER CORES



Part No.	EER3526S	EER3530S	EER3534S	EER3540S	
Type	EER - (a)	EER - (a)	EER - (a)	EER - (a)	
Dimensions in mm	A	35.00 ±0.70	35.00 ±0.70	35.00 ±0.70	35.00 ±0.70
	B	26.60 ±0.40	30.00 ±0.40	34.00 ±0.40	40.60 ±0.50
	C	11.30 ±0.40	11.30 ±0.40	11.30 ±0.40	11.30 ±0.40
	D1	25.30 min.	25.30 min.	25.60 min.	25.60 min.
	D2	23.85 min.	23.85 min.	23.85 min.	23.85 min.
	E	11.30 ±0.30	11.30 ±0.30	11.30 ±0.30	11.30 ±0.30
	F	16.60 ±0.50	20.00 ±0.60	22.00 ±0.40	29.60 ±0.80

Core Set Parameters	EER3526S	EER3530S	EER3534S	EER3540S
C1(mm ⁻¹)	0.593	0.657	0.695	0.813
Le(mm)	63.5	70.3	77.1	88.6
Ae(mm ²)	107.0	107.0	111.0	109.0
Ve(mm ³)	6795	7550	8557	9657
Ac(mm ²)	100.3	100.3	100.3	100.3
Aw(mm ²)	122.0	147.0	169.0	219.0
W(g/set)	35.0	38.8	42.0	50.0

Electrical Characteristics ⁽¹⁾⁽²⁾	AL value	PL-7	PL-9	PL-11	PL-13	PL-15
		Core loss	3600	3000	3000	2600
Core loss	AL value	4200	3600	3500	3000	3000
	PL-7	3800	3100	3100	2700	2700
	PL-11	4480	3840	3730	3200	3200
	PL-13	3800	3100	3100	2700	2700
	PL-15	3.74	4.15	4.71	5.31	5.31
Core loss	Core loss	3.40	3.78	4.28	4.83	4.83
	AL value	3.40	3.78	4.28	4.83	4.83
	PL-7	3.26	3.62	4.11	4.64	4.64
	PL-11	3.06	3.40	3.85	4.35	4.35
	PL-13	3.06	3.40	3.85	4.35	4.35

Note : 1) Core Loss
 - Unit : Watt max.
 - Measuring conditions
 PL-7, PL-11, PL-15 : 100kHz, 200mT, at 100°C
 PL-9, PL-13 : 100kHz, 200mT, at 80°C
 1) 100kHz, 100mT, at 100°C
 2) 25kHz, 200mT, at 100°C

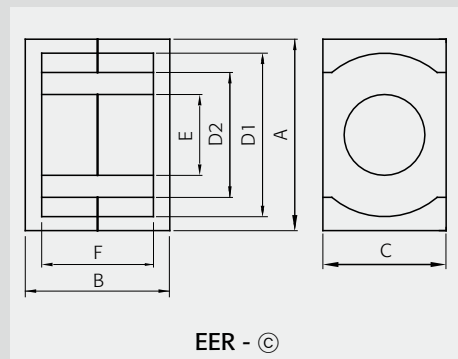
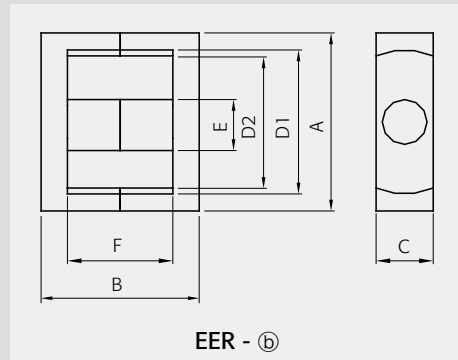
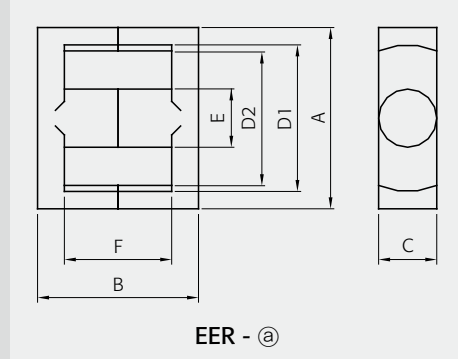
2) AL value
 - Unit : nH/N²
 - Measuring conditions : 1kHz, 0.1V, 23°C
 - Tolerance : ±25%

	EER3541S	EER3542S	EER3543S	EER3543N	EER3543NC	EER3544S	EER3638S	EER3934S	EER3936S	
Type	EER - (a)	EER - (a)	EER - (a)	EER - (a)	EER - (a)	EER - (a)	EER - (a)	EER - (a)	EER - (a)	
Dimensions in mm	A	35.00 ±0.70	35.00 ±0.70	35.00 ±0.70	35.20 ±0.70	35.20 ±0.70	35.00 ±0.70	36.00 ±0.60	39.10 ±0.90	39.10 ±0.90
	B	41.80 ±0.50	42.80 ±0.50	43.30 ±0.50	21.85 ±0.25	21.85 ±0.25	44.40 ±0.60	38.00 ±0.50	33.60 ±0.40	35.60 ±0.40
	C	11.30 ±0.40	11.30 ±0.40	11.30 ±0.40	11.30 ±0.40	11.30 ±0.40	11.30 ±0.40	11.30 ±0.40	12.50 ±0.30	12.50 ±0.30
	D1	25.60 min.	25.60 min.	25.60 min.	26.70 ±0.70	26.50 min.	25.60 min.	26.50 min.	30.10 ±0.80	30.10 ±0.80
	D2	23.85 min.	23.85 min.	23.85 min.	25.00 ref.	25.00 min.	24.60 ref.	24.50 ref.	28.30 min.	28.30 min.
	E	11.30 ±0.30	11.30 ±0.30	11.30 ±0.30	11.30 ±0.30	11.30 ±0.30	11.30 ±0.30	11.30 ±0.30	12.50 ±0.30	12.50 ±0.30
	F	29.80 ±0.60	30.80 ±0.60	31.30 ±0.50	15.85 ±0.25	15.85 ±0.25	32.00 ±0.60	26.00 ±0.50	23.20 ±0.80	25.20 ±0.80

Core Set Parameters	EER3541S	EER3542S	EER3543S	EER3543N	EER3543NC	EER3544S	EER3638S	EER3934S	EER3936S
C1(mm ⁻¹)	0.835	0.853	0.852	0.876	0.903	0.875	0.792	0.642	0.677
Le(mm)	91.0	93.0	94.6	95.1	95.3	95.4	83.9	80.3	84.6
Ae(mm ²)	109.0	109.0	111.0	108.5	105.5	109.0	106.0	125.0	125.0
Ve(mm ³)	9960	10160	10501	10318	10055	10399	8893	10038	10570
Ac(mm ²)	100.3	100.3	100.3	100.3	100.3	100.3	100.3	122.7	123
Aw(mm ²)	223.0	230.0	235.0	244.1	253.6	236.8	204.1	204.0	221.0
W(g/set)	52.0	53.0	54.0	53.0	50.7	54.0	48.8	50.0	53.0

Electrical Characteristics ⁽¹⁾⁽²⁾	AL value	PL-7	PL-9	PL-11	PL-13	PL-15				
		Core loss	2600	2500	2500	2060	2060	2400	2700	2800
Core loss	AL value	3050	3000	2900	2575	2575	2800	3100	3200	3650
	PL-7	2700	2600	2600	2146	2146	2500	2800	2900	3200
	PL-11	3250	3200	3090	2740	2740	2980	3300	3410	3890
	PL-13	2700	2600	2600	2146	2146	2500	2800	2900	3200
	PL-15	5.48	5.59	5.78	5.67	5.53	5.72	4.89	5.52	5.81
Core loss	Core loss	4.98	5.08	5.25	5.16	5.03	5.20	4.45	5.02	5.29
	AL value	4.98	5.08	5.25	5.16	5.03	5.20	4.45	5.02	5.29
	PL-7	4.78	4.88	5.04	4.95	4.83	4.99	4.27	4.82	5.07
	PL-11	4.48	4.57	4.73	4.64	4.52	4.68	4.00	4.52	4.76
	PL-13	4.48	4.57	4.73	4.64	4.52	4.68	4.00	4.52	4.76

EER CORES



Part No.	EER3940S	EER3941S	EER3942S	EER3944S	
Type	EER - (a)	EER - (a)	EER - (a)	EER - (a)	
Dimensions in mm	A	39.10 ±0.90	39.10 ±0.90	39.10 ±0.90	39.10 ±0.90
	B	39.60 ±0.40	20.50 ±0.20	42.00 ±0.40	44.60 ±0.40
	C	12.50 ±0.30	12.50 ±0.30	12.50 ±0.30	12.50 ±0.30
	D1	30.10 ±0.80	30.10 ±0.80	30.10 ±0.80	30.10 ±0.80
	D2	28.30 min.	28.30 min.	28.30 min.	28.30 min.
	E	12.50 ±0.30	12.50 ±0.30	12.50 ±0.30	12.50 ±0.30
	F	29.20 ±0.80	15.30 ±0.40	31.60 ±0.80	34.20 ±0.80

Core Set Parameters	EER3940S	EER3941S	EER3942S	EER3944S
C1(mm ⁻¹)	0.747	0.760	0.785	0.818
Le(mm)	92.6	95.0	97.4	102.2
Ae(mm ²)	124.0	125.0	124.0	125.0
Ve(mm ³)	11560	11875	12150	12780
Ac(mm ²)	123	123	123	122.7
Aw(mm ²)	256.0	269.3	278.0	301.0
W(g/set)	57.0	60.0	61.0	63.0

Electrical Characteristics ⁽¹⁾⁽²⁾	AL value	PL-7	PL-9	PL-11	PL-13	PL-15
		Core loss	2900	2780	2700	2600
Core loss	AL value	PL-7	3400	3475	3200	3000
		PL-9	3000	2896	2800	2700
		PL-11	3620	3700	3410	3200
		PL-13	3000	2896	2800	2700
		PL-15	6.36	6.53	6.68	7.03
Core loss	AL value	PL-7	5.78	5.94	6.08	6.39
		PL-9	5.78	5.94	6.08	6.39
		PL-11	5.55	5.70	5.83	6.13
		PL-13	5.20	5.34	5.47	5.75

Note : 1) Core Loss
 - Unit : Watt max.
 - Measuring conditions
 PL-7, PL-11, PL-15 : 100kHz, 200mT, at 100°C
 PL-9, PL-13 : 100kHz, 200mT, at 80°C
 1) 100kHz, 100mT, at 100°C
 2) 25kHz, 200mT, at 100°C

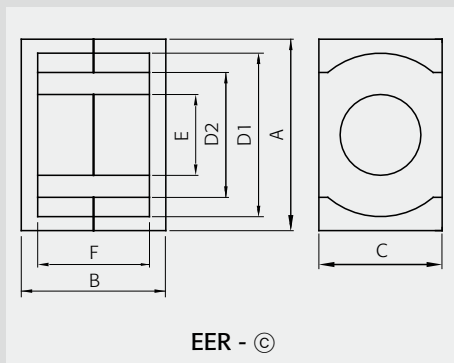
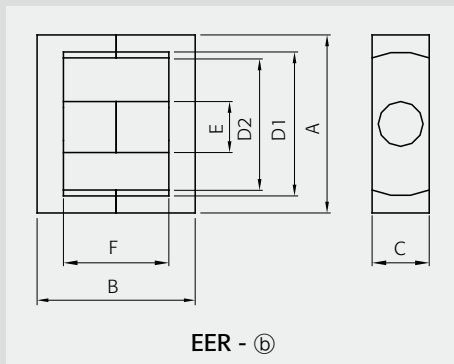
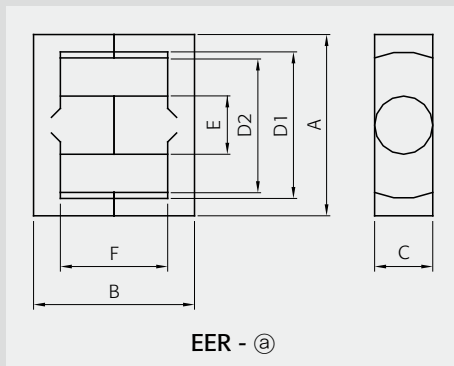
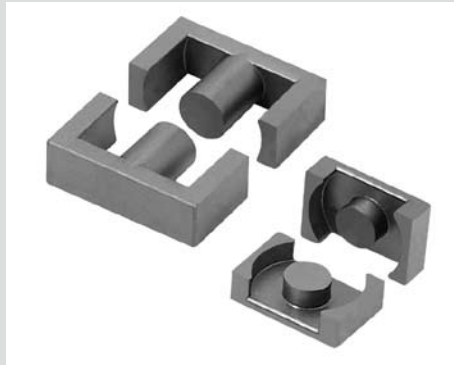
2) AL value
 - Unit : nH/N²
 - Measuring conditions : 1kHz, 0.1V, 23°C
 - Tolerance : ±25%

	EER4042S	EER4045S	EER4045SD	EER4214S	EER4232S	EER4233S	EER4242B	EER4242KF	EER4242S	
Type	EER - (b)	EER - (a)	EER - (b)	EER - (a)	EER - (b)	EER - (b)	EER - (a)	EER - (b)	EER - (b)	
Dimensions in mm	A	40.00 ^{+0.80} _{-0.50}	40.00 ±0.80	40.00 ^{+0.80} _{-0.50}	42.15 ±0.85	42.00 ^{+0.80} _{-0.50}	42.00 ^{+0.80} _{-0.50}	42.00 ±0.60	42.65 ±0.65	42.00 ^{+0.80} _{-0.50}
	B	42.60 ±0.40	44.80 ±0.40	45.00 ±0.40	43.20 ±0.40	32.40 ±0.40	16.60 ±0.20	42.80 ±0.60	43.40 ±0.40	42.40 ±0.40
	C	15.00 ±0.20	13.30 ±0.25	15.00 ±0.20	14.70 ±0.30	19.60 ±0.40	19.60 ±0.40	15.20 ±0.30	20.00 ^{+0.00} _{-0.80}	20.00 ^{+0.00} _{-0.80}
	D1	30.70 min.	29.00 min.	30.70 min.	31.00 ±0.60	32.30 ±0.50	32.30 ±0.50	31.00 ±0.60	32.80 ±0.50	32.30 ±0.50
	D2	29.00 min.		28.70 min.					27.40 min.	27.30 ref.
	E	14.00 ±0.25	13.30 ±0.25	14.00 ±0.25	14.70 ±0.30	17.30 ±0.25	17.30 ±0.25	15.20 ±0.30	17.30 ±0.25	17.30 ±0.25
	F	30.60 ±0.40	30.80 ±0.60	33.00 ±0.40	31.90 ±0.70	20.50 ±0.50	10.60 ±0.25	30.80 ±0.80	31.20 ±0.50	30.00 ^{+1.00} _{-0.50}

Core Set Parameters	EER4042S	EER4045S	EER4045SD	EER4214S	EER4232S	EER4233S	EER4242B	EER4242KF	EER4242S
C1(mm ⁻¹)	0.609	0.645	0.643	0.574	0.349	0.356	0.530	0.415	0.406
Le(mm)	96.3	97.4	101.0	98.8	81.4	83.0	96.9	98.0	95.1
Ae(mm ²)	158.0	151.0	157.0	172.0	233.0	233.0	183.0	236.0	234.0
Ve(mm ³)	15230	14790	15950	17090	18966	19339	17790	23128	22280
Ac(mm ²)	154	139	154	170	234.9	235	181	234.9	235
Aw(mm ²)	265.0	254.0	286.0	259.0	158.9	159.0	243.0	242.0	228.0
W(g/set)	78.0	78.0	82.0	87.0	92.0	94.0	90.0	116.0	115.0

Electrical Characteristics ⁽¹⁾⁽²⁾	AL value	PL-7	PL-9	PL-11	PL-13	PL-15					
		Core loss	3600	3300	3400	3800	6300	5800	4000	5000	5000
Core loss	AL value	PL-7	4200	3900	3950	4500	7300	7250	4700	5800	5800
		PL-9	3800	3400	3500	4000	6600	6042	4200	5200	5200
		PL-11	4480	4160	4210	4800	7780	7730	5010	6180	6180
		PL-13	3800	3400	3500	4000	6600	6042	4200	5200	5200
		PL-15	8.38	8.13	8.77	9.40	10.43	10.64	9.78	12.72	12.25
Core loss	AL value	PL-7	7.62	7.40	7.98	8.55	9.48	9.67	8.90	11.56	11.14
		PL-9	7.62	7.40	7.98	8.55	9.48	9.67	8.90	11.56	11.14
		PL-11	7.31	7.10	7.66	8.20	9.10	9.28	8.54	11.10	10.69
		PL-13	6.85	6.66	7.18	7.69	8.53	8.70	8.01	10.41	10.03

EER CORES



Part No.	EER4243S	EER4244S	EER4245S	EER4245W	
Type	EER - Ⓐ	EER - Ⓑ	EER - Ⓐ	EER - Ⓐ	
Dimensions in mm	A	42.00 ±0.60	42.00 ^{+0.80} _{-0.50}	42.00 ±0.50	42.00 ±0.60
	B	43.80 ±0.60	44.00 ±0.40	44.60 ±0.60	44.80 ±0.40
	C	15.20 ±0.30	19.40 ±0.30	15.20 ±0.30	15.50 ±0.30
	D1	31.00 ±0.60	32.60 ±0.50	31.00 ±0.50	29.40 min.
	D2				
	E	15.20 ±0.30	17.00 ±0.25	15.20 ±0.30	15.50 ±0.30
	F	31.80 ±0.60	2.20 ±0.60	32.60 ±0.60	30.80 ±0.60

Core Set Parameters	EER4243S	EER4244S	EER4245S	EER4245W
C1(mm ⁻¹)	0.537	0.442	0.546	0.484
Le(mm)	98.3	100.0	100.0	97.3
Ae(mm ²)	183.0	226.0	183.0	201.0
Ve(mm ³)	17990	22600	18450	19620
Ac(mm ²)	181.5	226.9	181	189
Aw(mm ²)	259.2	325.6	257.0	223.0
W(g/set)	90.0	99.0	94.0	100.0

Electrical Characteristics ⁽¹⁾⁽²⁾	AL value	EER4243S	EER4244S	EER4245S	EER4245W
		PL-7	4000	4800	3900
	PL-9	4700	5500	4600	5150
	PL-11	4200	5000	4100	4600
	PL-13	5010	5860	4900	5490
	PL-15	4200	5000	4100	4600
Core loss	PL-7	9.89	12.43	10.15	10.79
	PL-9	9.00	11.30	9.23	9.81
	PL-11	9.00	11.30	9.23	9.81
	PL-13	8.64	10.85	8.86	9.42
	PL-15	8.10	10.17	8.30	8.83

Note : 1) Core Loss
 - Unit : Watt max.
 - Measuring conditions
 PL-7, PL-11, PL-15 : 100kHz, 200mT, at 100°C
 PL-9, PL-13 : 100kHz, 200mT, at 80°C
 1) 100kHz, 100mT, at 100°C
 2) 25kHz, 200mT, at 100°C

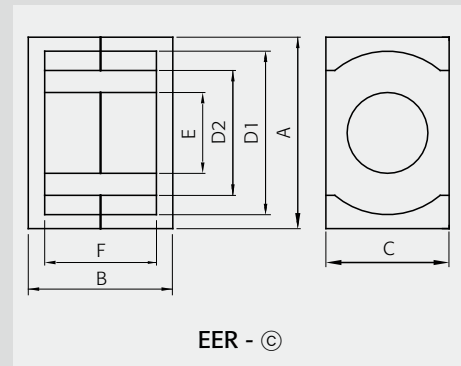
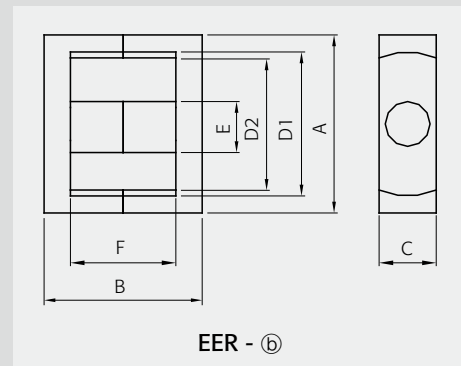
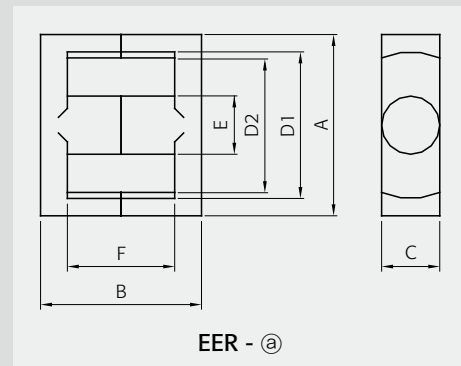
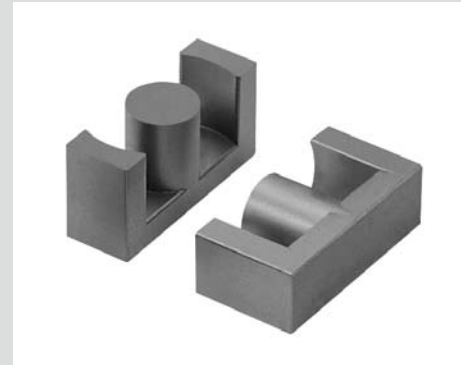
2) AL value
 - Unit : nH/N²
 - Measuring conditions : 1kHz, 0.1V, 23°C
 - Tolerance : ±25%

	EER4249S	EER4445S	EER4535S	EER4836S	EER4936S	EER4942S	EER4943S	EER4950S	EER4954S	
Type	EER - Ⓑ	EER - Ⓐ	EER - Ⓐ	EER - Ⓐ	EER - Ⓐ	EER - Ⓐ	EER - Ⓐ	EER - Ⓐ	EER - Ⓐ	
Dimensions in mm	A	42.00 ±0.80	44.00 ±1.00	45.00 ±1.00	48.00 ±1.00	49.00 ^{+0.70} _{-0.50}	49.00 ^{+0.70} _{-0.50}	49.00 ^{+0.70} _{-0.50}	48.70 ±1.00	49.00 ±0.80
	B	49.40 ±0.40	44.60 ±0.40	35.00 ±0.40	36.00 ±0.40	36.00 ±0.40	42.00 ^{+1.00} _{-0.20}	43.10 ±0.60	49.40 ±0.40	54.00 ±0.40
	C	19.60 ±0.40	14.80 ±0.40	17.60 ±0.40	17.60 ±0.40	17.20 ^{+0.20} _{-0.40}	17.20 ^{+0.20} _{-0.40}	17.20 ^{+0.20} _{-0.40}	16.30 ±0.40	17.20 ±0.30
	D1	32.30 ±0.80	33.30 ±0.80	33.80 ±0.80	36.80 ±0.80	36.60 min.	36.60 min.	36.60 min.	37.00 ±0.90	36.40 min.
	D2				33.60 ref.	33.20 min.	33.20 min.	33.20 min.	33.15 min.	33.20 min.
	E	17.30 ±0.35	14.80 ±0.40	17.60 ±0.40	17.60 ±0.40	17.20 ^{+0.20} _{-0.40}	17.20 ^{+0.20} _{-0.40}	17.20 ^{+0.20} _{-0.40}	16.30 ±0.40	17.20 ±0.25
	F	37.60 ±0.60	33.00 ±0.80	21.90 ±0.50	22.40 ^{+0.50} _{-0.00}	22.80 ±0.40	28.80 ^{+0.80} _{-0.00}	29.90 ±0.40	36.20 ±0.80	37.00 ±0.40

Core Set Parameters	EER4249S	EER4445S	EER4535S	EER4836S	EER4936S	EER4942S	EER4943S	EER4950S	EER4954S
C1(mm ⁻¹)	0.470	0.601	0.350	0.374	0.384	0.441	0.448	0.540	0.490
Le(mm)	109.0	104.0	81.2	86.3	87.2	100.0	101.7	114.0	118.0
Ae(mm ²)	232.0	173.0	232.0	231.0	227.0	227.0	227.0	211.0	241.0
Ve(mm ³)	25400	17910	18880	19990	19800	22770	23086	24140	28460
Ac(mm ²)	235	172	243	243	230	230	230	209	232
Aw(mm ²)	282.0	305.0	177.0	219.0	195.0	293.0	297.1	374.0	370.0
W(g/set)	129.0	90.0	97.0	103.0	100.0	117.0	119.0	125.0	147.0

Electrical Characteristics ⁽¹⁾⁽²⁾	AL value	EER4249S	EER4445S	EER4535S	EER4836S	EER4936S	EER4942S	EER4943S	EER4950S	EER4954S
		PL-7	4350	3400	5800	5600	5500	5000	4700	4000
	PL-9	5100	4000	6750	6500	6400	5800	5500	4750	5300
	PL-11	4500	3500	6000	5800	5700	5200	4900	4200	4700
	PL-13	5440	4260	7200	6930	6820	6180	5860	5060	5650
	PL-15	4500	3500	6000	5800	5700	5200	4900	4200	4700
Core loss	PL-7	13.97	9.85	10.38	10.99	10.89	12.52	12.70	13.28	15.65
	PL-9	12.70	8.96	9.44	10.00	9.90	11.39	11.54	12.07	14.23
	PL-11	12.70	8.96	9.44	10.00	9.90	11.39	11.54	12.07	14.23
	PL-13	12.19	8.60	9.06	9.60	9.50	10.93	11.08	11.59	13.66
	PL-15	11.43	8.06	8.50	9.00	8.91	10.25	10.39	10.86	12.81

EER CORES



Part No.	EER5345S	EER5428S	EER5455S	EER6062S	
Type	EER - (b)	EER - (b)	EER - (a)	EER - (a)	
Dimensions in mm	A	53.20 ^{+0.80} _{-0.50}	54.00 ±1.00	54.50 ±1.30	59.80 ±1.30
	B	46.40 ±0.60	14.25 ±0.20	55.20 ±0.40	62.00 ±0.40
	C	21.50 ±0.30	26.15 ±0.40	18.90 ±0.40	21.65 ±0.45
	D1	38.70 min.	43.85 ±0.80	41.20 ±1.10	44.70 ±1.10
	D2			36.20 min.	40.15 ref.
	E	20.00 ^{+0.20} _{-0.30}	19.85 ±0.40	18.90 ±0.40	21.65 ±0.45
	F	32.60 ±0.60	7.45 ±0.20	40.40 ±0.80	45.00 ±0.80

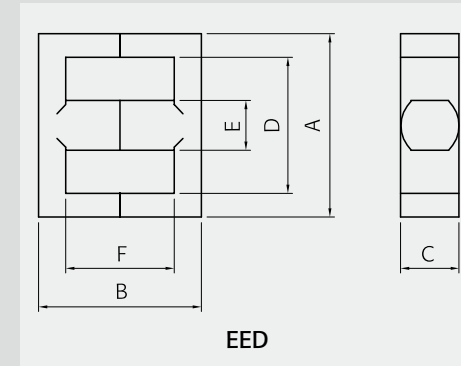
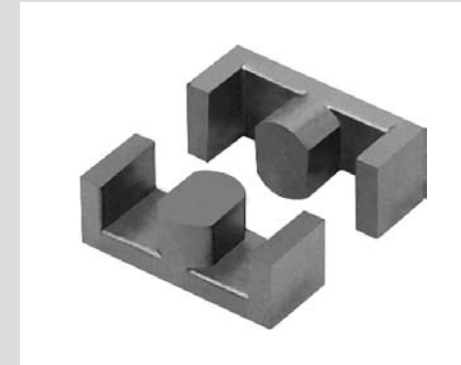
Core Set Parameters	EER5345S	EER5428S	EER5455S	EER6062S
C1(mm ⁻¹)	0.340	0.219	0.455	0.384
Le(mm)	108.0	68.3	127.0	141.0
Ae(mm ²)	318	311.01	279	367
Ve(mm ³)	34350	21226	35620	51630
Ac(mm ²)	313	309	281	368
Aw(mm ²)	316	176.4	450	518
W(g/set)	178	136	176	257

Electrical Characteristics ⁽¹⁾⁽²⁾	AL value	PL-7	PL-9	PL-11	PL-13	PL-15				
		Core loss	6200	9600	10000	12790	10000	5400	6500	5500
Core loss	Core loss	PL-7	18.89	11.67	19.59	17.81	4.50 ¹⁾			
		PL-9	17.18	10.61	17.81	17.81	4.50 ¹⁾			
		PL-11	17.18	10.61	17.81	17.10	4.50 ¹⁾			
		PL-13	16.49	10.19	17.10	16.03	4.20 ¹⁾			
		PL-15	15.46	9.55	16.03					

Note : 1) Core Loss
 - Unit : Watt max.
 - Measuring conditions
 PL-7, PL-11, PL-15 : 100kHz, 200mT, at 100°C
 PL-9, PL-13 : 100kHz, 200mT, at 80°C
¹⁾ 100kHz, 100mT, at 100°C
²⁾ 25kHz, 200mT, at 100°C

2) AL value
 - Unit : nH/N²
 - Measuring conditions : 1kHz, 0.1V, 23°C
 - Tolerance : ±25%

EED CORES



Part No.	EED2818S	EED2820S	EED2920S	EED2924S	
Type	EED	EED	EED	EED	
Dimensions in mm	A	28.00 ±0.50	28.00 ±0.50	29.30 ±0.70	29.30 ±0.70
	B	18.60 ±0.30	20.40 ±0.30	20.40 ±0.50	24.40 ±0.50
	C	11.90 ±0.15	11.90 ±0.15	11.60 ±0.20	11.60 ±0.20
	D	20.30 min.	20.30 min.	22.10 ^{+0.70} _{-0.50}	22.10 ^{+0.70} _{-0.50}
	E	8.50 ±0.15	8.50 ±0.15	8.40 ±0.20	8.40 ±0.20
	F	11.40 ±0.30	13.20 ±0.30	13.20 ±0.40	17.20 ±0.40

Core Set Parameters	EED2818S	EED2820S	EED2920S	EED2924S
C1(mm ⁻¹)	0.545	0.586	0.617	0.712
Le(mm)	46.9	50.5	51.9	59.9
Ae(mm ²)	86.1	86.1	84.0	84.1
Ve(mm ³)	4038	4350	4360	5030
Ac(mm ²)	101.2	101.2	97.4	97.4
Aw(mm ²)	75.3	81.1	90.7	118.0
W(g/set)	20.8	22.2	21.8	24.9

Electrical Characteristics ⁽¹⁾⁽²⁾	AL value	PL-7	PL-9	PL-11	PL-13	PL-15				
		Core loss	3700	3000	3100	3600	3100	2800	3200	3650
Core loss	Core loss	PL-7	2.22	2.39	2.40	2.77				
		PL-9	2.02	2.18	2.18	2.52				
		PL-11	2.02	2.18	2.18	2.52				
		PL-13	1.94	2.09	2.09	2.41				
		PL-15	1.82	1.96	1.96	2.26				

Note : 1) Core loss
 - Unit : Watt max.
 - Measuring conditions
 PL-7, PL-11, PL-15 : 100 kHz, 200mT, at 100°C
 PL-9, PL-13 : 100 kHz, 200mT, at 80°C

2) AL value
 - Unit : nH/N²
 - Measuring conditions : 1kHz, 0.1V, 23°C
 - Tolerance : ±25%