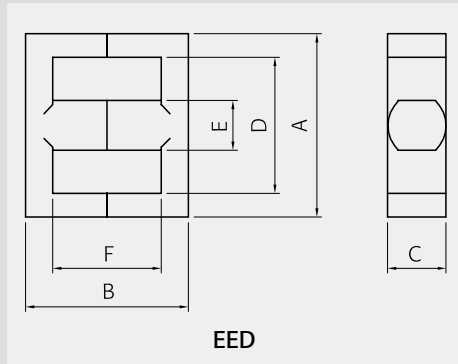
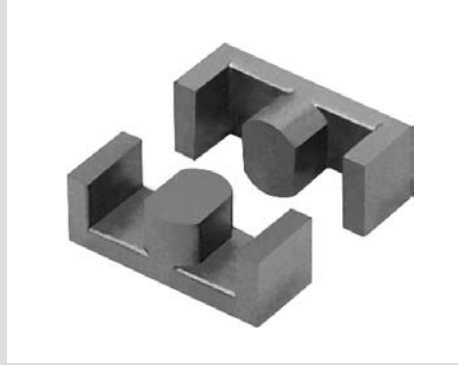


EED CORES



Part No.	EED2818S	EED2820S	EED2920S	EED2924S	
Type	EED	EED	EED	EED	
Dimensions in mm	A	28.00 ±0.50	28.00 ±0.50	29.30 ±0.70	29.30 ±0.70
	B	18.60 ±0.30	20.40 ±0.30	20.40 ±0.50	24.40 ±0.50
	C	11.90 ±0.15	11.90 ±0.15	11.60 ±0.20	11.60 ±0.20
	D	20.30 min.	20.30 min.	22.10 ^{+0.70} _{-0.50}	22.10 ^{+0.70} _{-0.50}
	E	8.50 ±0.15	8.50 ±0.15	8.40 ±0.20	8.40 ±0.20
	F	11.40 ±0.30	13.20 ±0.30	13.20 ±0.40	17.20 ±0.40

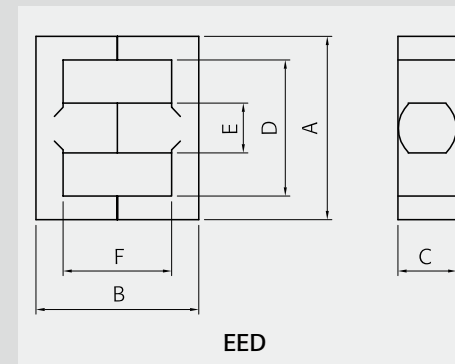
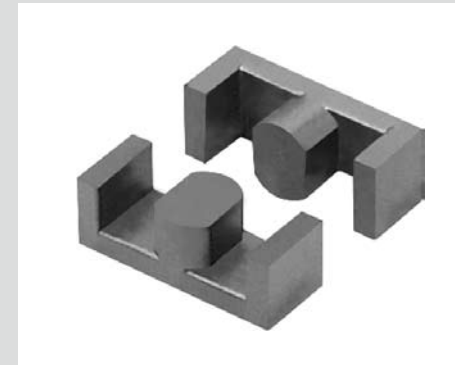
Core Set Parameters	C1(mm ¹)	0.545	0.586	0.617	0.712
	Le(mm)	46.9	50.5	51.9	59.9
	Ae(mm ²)	86.1	86.1	84.0	84.1
	Ve(mm ³)	4038	4350	4360	5030
	Ac(mm ²)	101.2	101.2	97.4	97.4
	Aw(mm ²)	75.3	81.1	90.7	118.0
	W(g/set)	20.8	22.2	21.8	24.9

Electrical Characteristics ⁽¹⁾⁽²⁾	AL value	PL-7	3700	3000	3200	2800
		PL-9	4300	3400	3650	3200
		PL-11	3900	3100	3300	2900
		PL-13	4600	3600	3900	3400
		PL-15	3900	3100	3300	2900
	Core loss	PL-7	2.22	2.39	2.40	2.77
		PL-9	2.02	2.18	2.18	2.52
		PL-11	2.02	2.18	2.18	2.52
		PL-13	1.94	2.09	2.09	2.41
		PL-15	1.82	1.96	1.96	2.26

Note : 1) Core loss
 - Unit : Watt max.
 - Measuring conditions
 PL-7, PL-11, PL-15 : 100 kHz, 200mT, at 100°C
 PL-9, PL-13 : 100 kHz, 200mT, at 80°C

2) AL value
 - Unit : nH/N²
 - Measuring conditions : 1kHz, 0.1V, 23°C
 - Tolerance : ±25%

EED CORES



Part No.	EED2929S	EED4018S	EED4025S	EED4029S	
Type	EED	EED	EED	EED	
Dimensions in mm	A	29.30 ±0.70	40.80 ±0.50	40.80 ±0.50	40.80 ±0.50
	B	29.20 ±0.50	9.10 ±0.30	12.50 ±0.30	14.50 ±0.30
	C	11.60 ±0.20	21.90 ^{+0.20} _{-0.30}	21.90 ^{+0.20} _{-0.30}	21.90 ^{+0.20} _{-0.30}
	D	22.10 ^{+0.70} _{-0.50}	30.80 ±0.50	30.80 ±0.50	30.80 ±0.50
	E	8.40 ±0.20	11.00 ±0.30	11.00 ±0.30	11.00 ±0.30
	F	22.00 ±0.40	5.30 ±0.20	8.70 ±0.20	10.70 ±0.20

Core Set Parameters	C1(mm ¹)	0.826	0.282	0.352	0.394
	Le(mm)	69.5	54.2	67.8	75.8
	Ae(mm ²)	84.1	192.4	192.4	192.4
	Ve(mm ³)	5850	10420	13044	14580
	Ac(mm ²)	97.4	218.8	218.8	218.8
	Aw(mm ²)	151.0	104.9	172.3	211.9
	W(g/set)	29	55	69	78

Electrical Characteristics ⁽¹⁾⁽²⁾	AL value	PL-7	2100	7000	6400	5200
		PL-9	2400	8600	7900	6500
		PL-11	2200	7200	6590	5400
		PL-13	2600	9200	8400	6900
		PL-15	2200	7200	6590	5400
	Core loss	PL-7	3.22	5.73	7.17	8.02
		PL-9	2.93	5.21	6.52	7.29
		PL-11	2.93	5.21	6.52	7.29
		PL-13	2.81	5.00	6.26	7.00
		PL-15	2.63	4.69	5.87	6.56

Note : 1) Core loss
 - Unit : Watt max.
 - Measuring conditions
 PL-7, PL-11, PL-15 : 100 kHz, 200mT, at 100°C
 PL-9, PL-13 : 100 kHz, 200mT, at 80°C

2) AL value
 - Unit : nH/N²
 - Measuring conditions : 1kHz, 0.1V, 23°C
 - Tolerance : ±25%