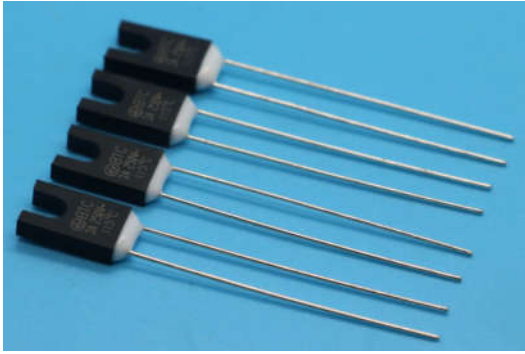
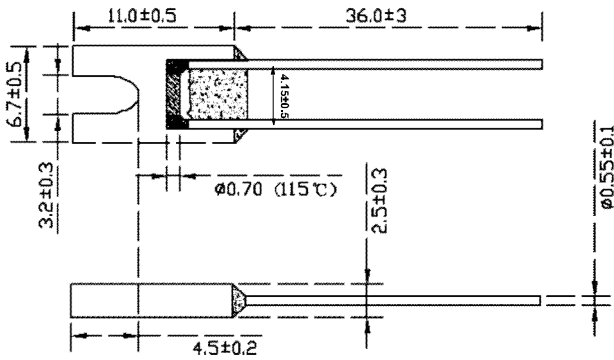


# BTC Series Thermal Fuse



Dimensions (unit in mm)



## Features

The BTC fuses are non-resetting single-pole and normally closed devices and provide accurate, reliable protection for high temperature applications against overheating through interrupting electric current. With their metal body and strong leads these fuses offer a sturdy built and high rated currents such as 3 Ampere

## Application

BTC series thermal fuses are widely used in various applications such as transformers, adapters, secondary batteries, household appliances, gas water heaters, lighting and other heating equipment.

## Part numbering system

- |           |          |            |            |          |
|-----------|----------|------------|------------|----------|
| <b>BT</b> | <b>C</b> | <b>003</b> | <b>115</b> | <b>0</b> |
| ↓         | ↓        | ↓          | ↓          | ↓        |
| (1)       | (2)      | (3)        | (4)        | (5)      |
- (1) Model..... ..BT... Better's Brand  
 (2) Product series..... ..C... CP line  
 (3) Rated current..... ..003... Rated current: 3A  
 (4) Functioning temperature... ..115... Tf: 115°C  
 (5) Remark number..... Normal

### Electrical Characteristics at 25 °C

NO.	Part Number	Tf	Operating temperature	Th	Tm	Rated Current	Voltage	Approvals					
		(°C)	(°C)	(°C)	(°C)			UL	cURus	CCC	KC	PSE	TUV
1	BTC0031150	115	111±2	95	200	3	250V AC	•	•	•	•	•	•

**Note:**1. In UL certification, there have Tf 115C 3.5A/125V.

## Ordering Information

Series	Function temperature (Tf)	Supplementary Code	Qty
BTC			

