

SAW Resonator 840 MHz

MODEL NO.: TC0327BA3510

REV. NO.:1

A. FEATURES:

- 1-Port Resonator.

B. MAXIMUM RATING:

1. Input Power Level: 0 dBm
2. DC voltage: 12 V
3. Operating Temperature: -40°C to +85°C
4. Storage Temperature: -40°C to +85°C
5. Moisture Sensitive Level (MSL): Level 1

C. ELECTRICAL CHARACTERISTICS:

Characteristic	Units	Minimum	Typical	Maximum
Center frequency Fr	MHz	839.950	840	840.050
Insertion Loss IL	dB		1.3	2.0
Unloaded Quality factor		-	8000	-
Equivalent Elements				
Motional capacitance C1	fF	-	1.36	-
Motional inductance L1	μH	-	26.2	-
Motional resistance R1	Ohm	-	17	-
Parallel capacitance Co	pF	-	2.46	-
Temp.coeff.	ppm/c*2	-	0.032	-
Turnover To	deg.C	-	25	-
Package size		SMD 3.8X3.8X1.4mm		

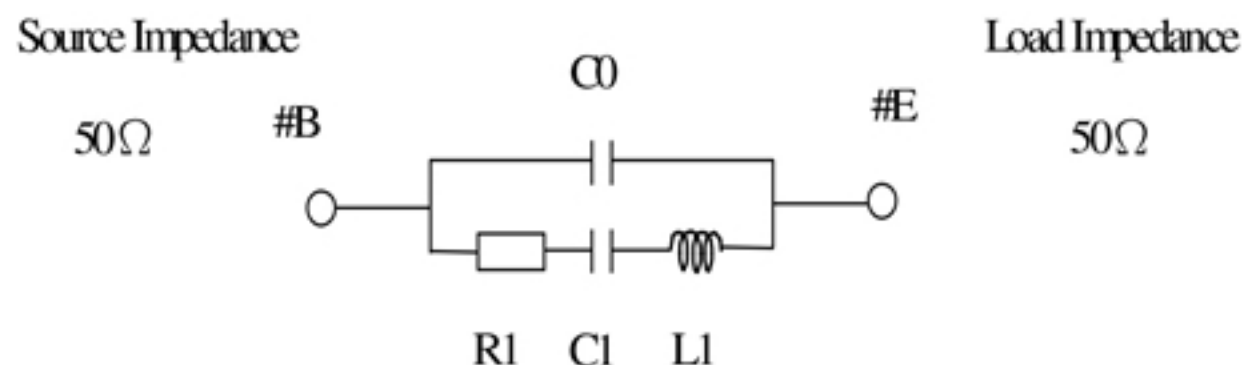
RoHS Compliant

Lead-free soldering

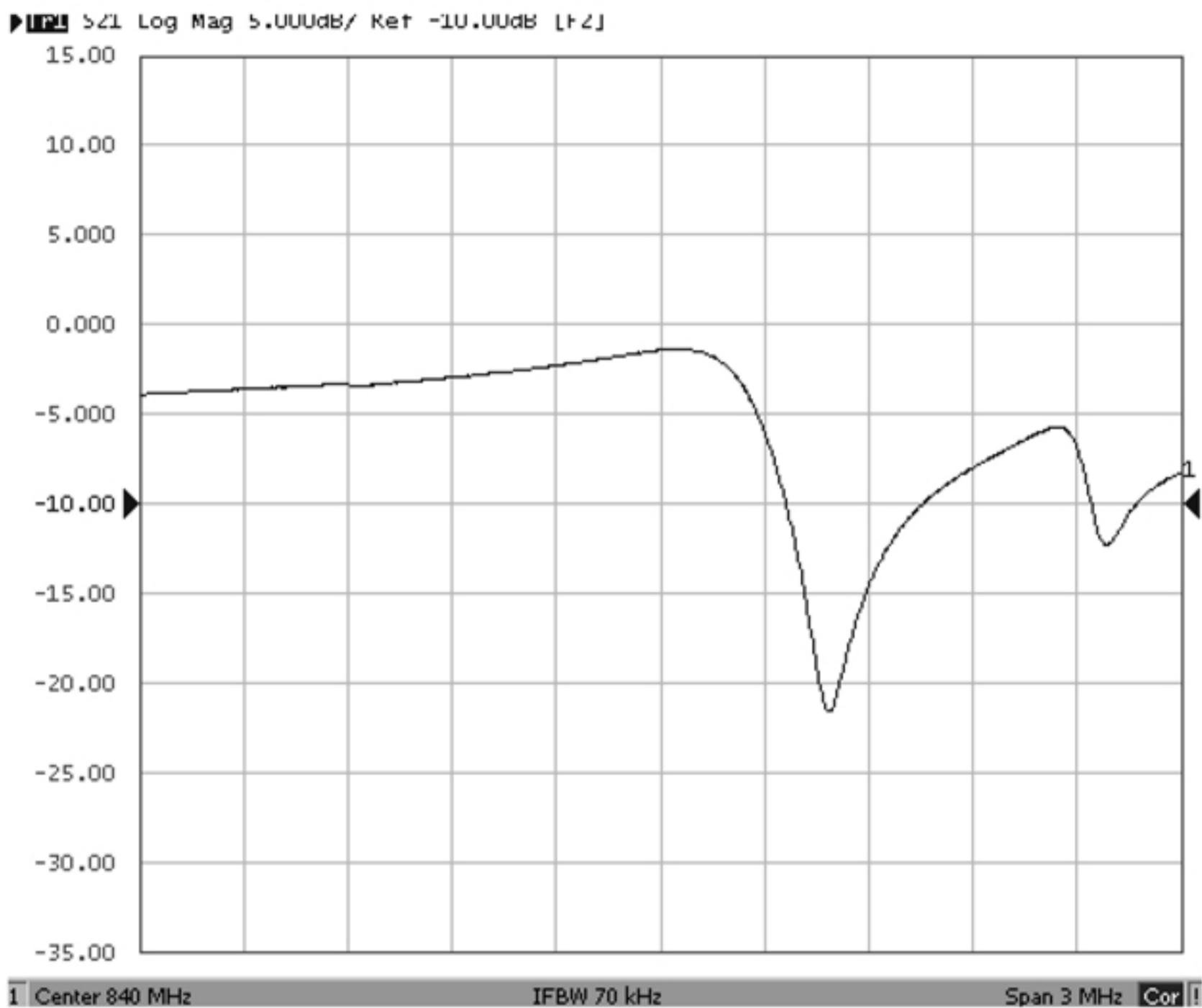
Electrostatic Sensitive Device

D. EQUIVIRENT CIRCUIT:

One-Port Resonator:



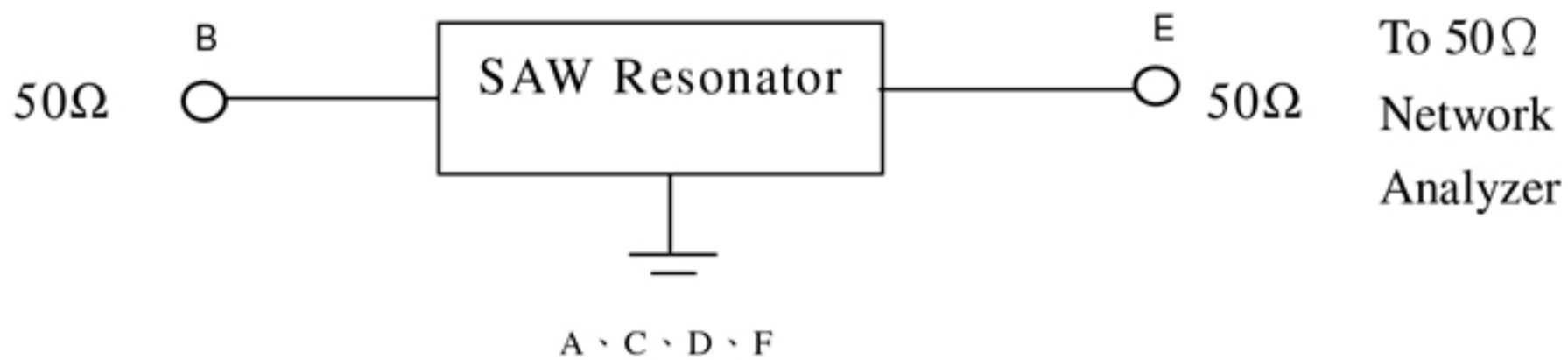
E. FREQUENCY CHARACTERISTICS:



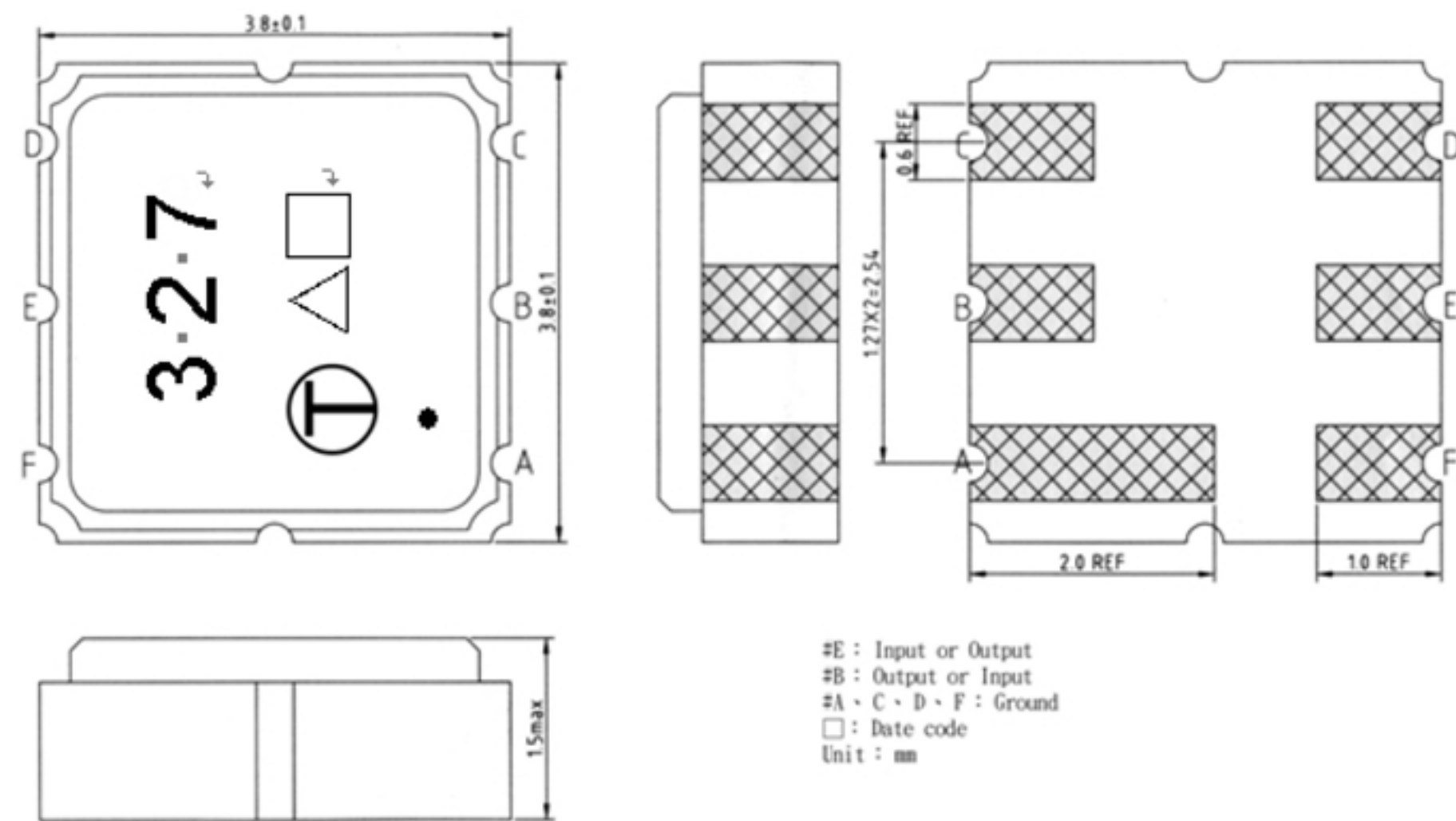
F. TEST CIRCUIT:

Network analyzer

From 50Ω
Network
Analyzer



G. OUTLINE DRAWING:

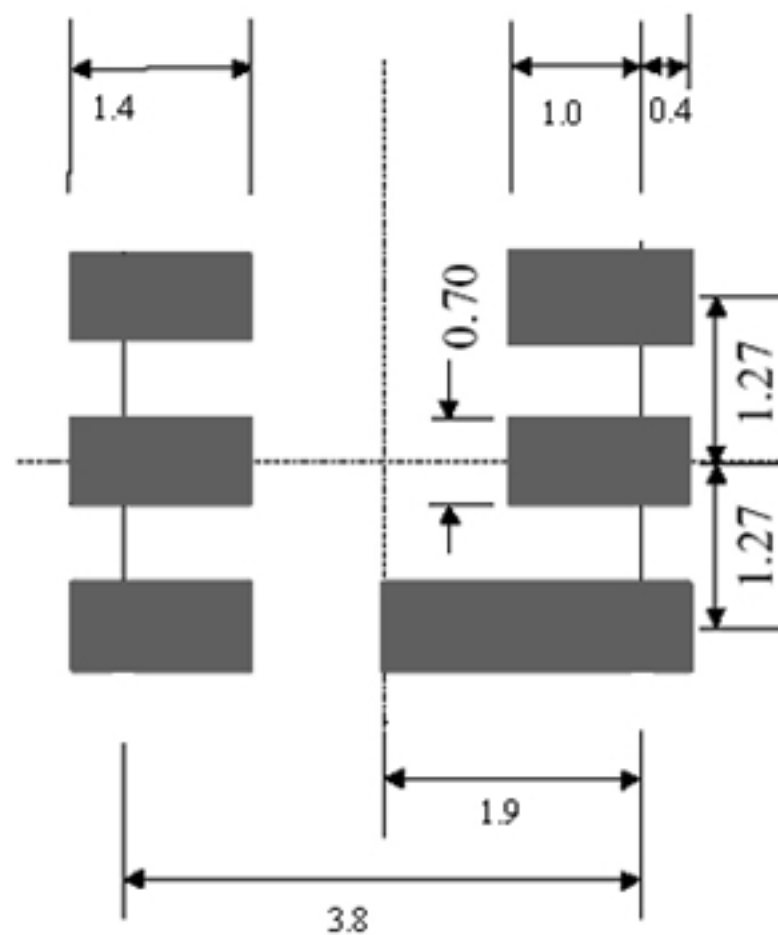


□ Date code: Provided by planer each year

△ Product Year Code

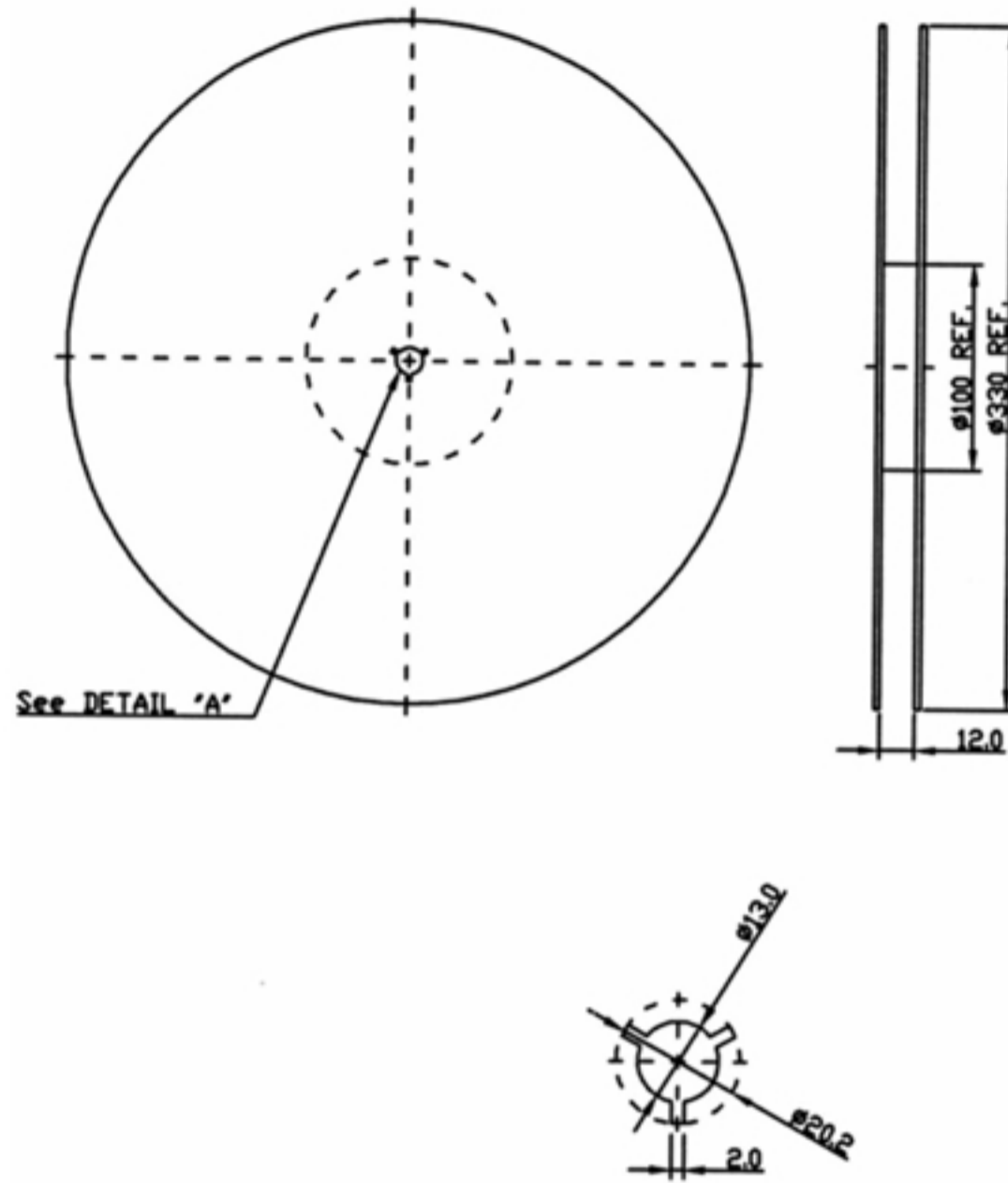
Year	2005	2006
	2007	2008
	.	.
Product Code	C	c

H. PCB FOOTPRINT:

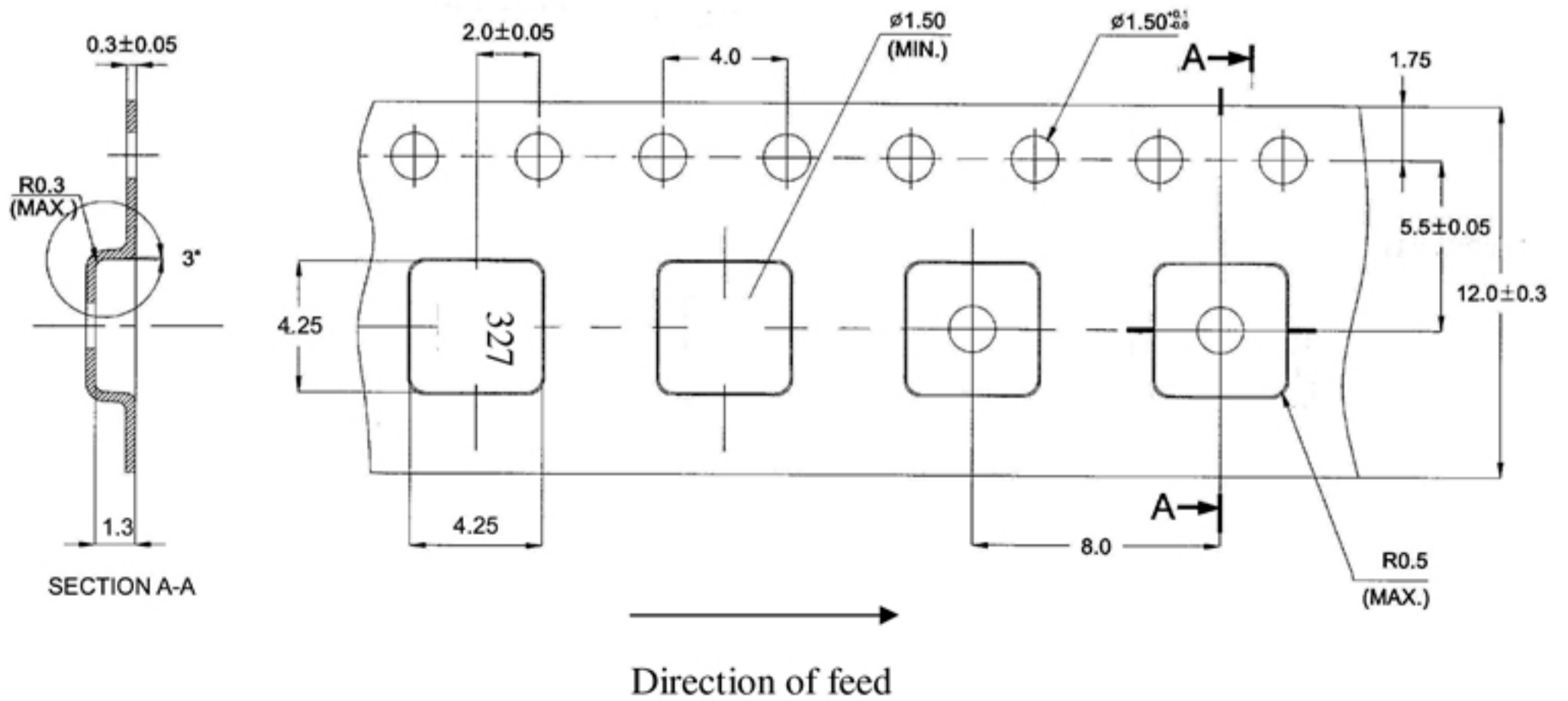


I. PACKING:

1. REEL DIMENSION



2. TAPE DIMENSION



J. REFLOW PROFILE

1. Preheating shall be fixed at $150\sim 180^{\circ}\text{C}$ for $60\sim 90$ seconds.
2. Ascending time to preheating temperature 150°C shall be 30 seconds min.
3. Heating shall be fixed at 220°C for $50\sim 80$ seconds and at $260^{\circ}\text{C} +0/-5^{\circ}\text{C}$ peak ($20\sim 40$ sec).
4. Time: 2 times.

