

Features

- AT/SC Cut
- JYEG part number: JYOC20
- Low Aging, Compact Package
- APPLICATIONS:
PCS Base Station, Cellular Base Station
Synthesizer, Digital Switching
Measurement Equipment

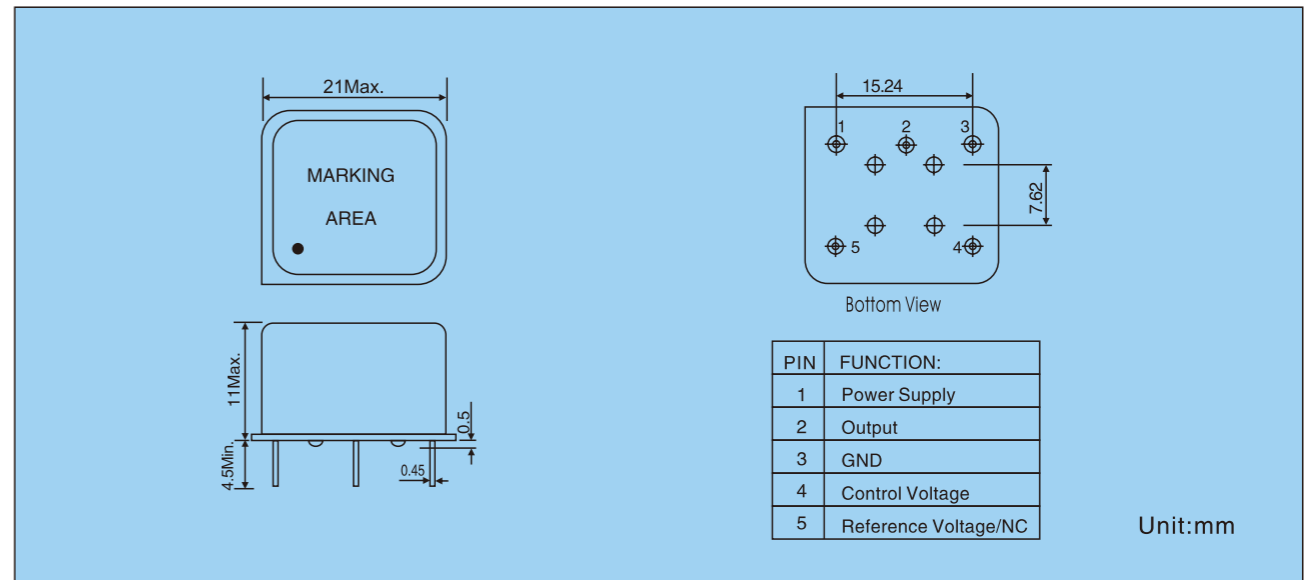
TYPICAL SPECIFICATIONS

Type	OC2020
Frequency Range	2~100MHz
Standard Frequency	10、12.8、20、38.88、100MHz
Frequency Accuracy	±0.2ppm(center control voltage)
Frequency Stability vs Temperature	See Table 1
Aging(AT Cut)	±2ppb/day,first year ±300ppb,10 years ±2ppm
(SC Cut)	±1ppb/day,first year ±100ppb,10years ±0.5ppm
Short term stability	1x10 ⁻¹¹ /s(10MHz SC Cut)
Output Type and Load Characteristics	See Table 2
Frequency Stability vs Load	±2ppb vs ±10% load change (10MHz SC)
Supply Voltage	+3.3VDC,+5.0VDC,12VDC
Frequency Stability vs Voltage	±0.02ppm vs ±5%voltage change
Supply Consumption	3.6W(Max.)when warm-up;1.2W(Max.)when static
Warm-up Time(AT Cut)	±0.2ppm,<3min
(SC Cut)	±0.1ppm,<3min
Adjustable Frequency Range(AT Cut)	±3ppm
(SC Cut)	±0.7ppm
Control Voltage Range	0~3.3V,0~5V
Slope	Positive
Linearity	±10%
Phase Noise(10MHz) SC	10Hz,-120dBc/Hz
	100Hz,-140dBc/Hz
	1kHz,-145dBc/Hz
	10kHz,-150dBc/Hz
Storage Temperature Range	-40°C~+100°C

FREQUENCY STABILITY VS TEMPERATURE TABLE 1

Frequency Stability vs Temperature	Temperature Range
±50ppb(AT Cut)	0°C - +50°C
±5ppb(SC Cut)	0°C - +50°C
±100ppb(AT Cut)	-20°C - +70°C
±10ppb(SC Cut)	-20°C - +70°C
±100ppb(AT Cut)	-40°C - +75°C
±30ppb(SC Cut)	-40°C - +85°C

OCXO-2020

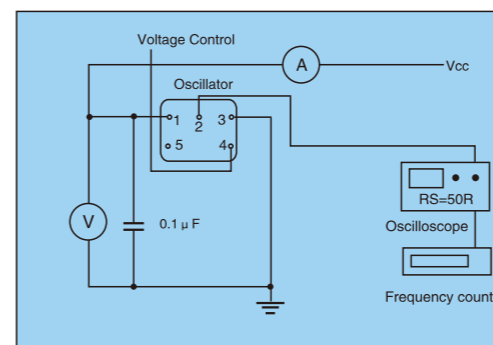


OUTPUT TYPE AND LOAD CHARACTERISTICS TABLE 2

Output Waveform	Sine Wave
Output Characteristics	Load:50 Ω Output level: > 5dBm Harmonic: < -30dBm Noise Suppression: < -75dBm

Output Waveform	HCMOS/LVCMOS
Output Characteristics	Load:15pF TYP,50PF Max. avialable "1" level: >0.9VDD; "0" level: <0.1VDD Duty cycle:45/55 Rise/fall time: < 6ns(fn < 40MHz) < 3ns(fn > 40MHz)

Test Circuit-Sine Wave



Test Circuit-CMOS

