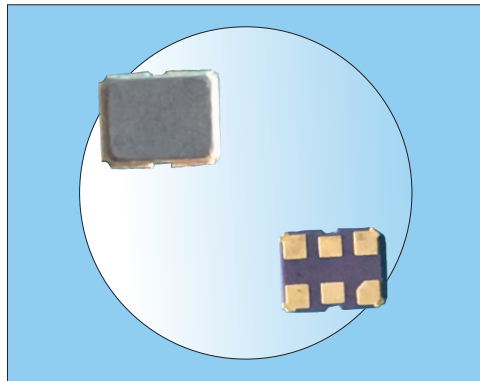


# Crystal Clock Oscillators

## Clock Oscillator/SMD 2520P



### Features

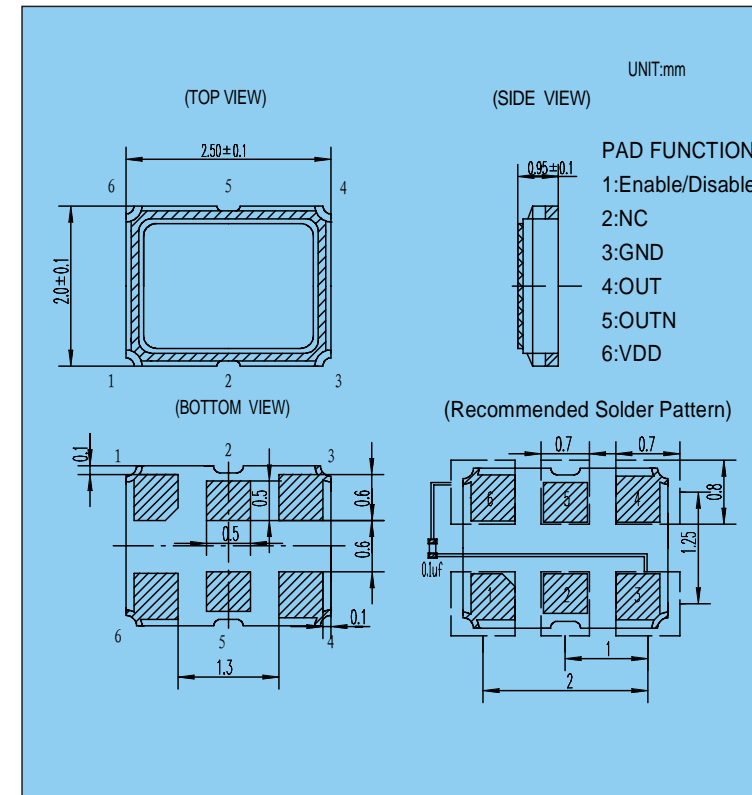
- JYEG part number :JYOD2P
- 3.3V supply voltage
- LVPECL output
- Tri-state function available
- Tape and reel available

### TYPICAL SPECIFICATIONS

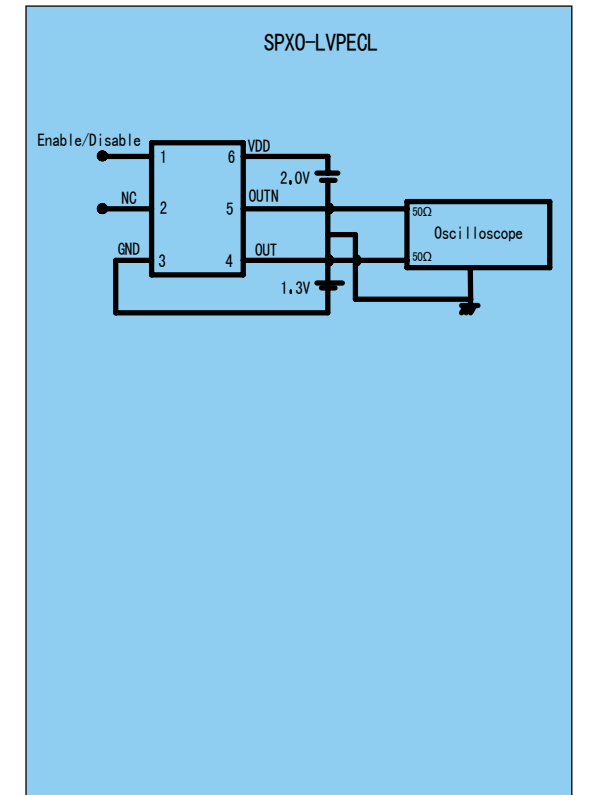
Type	OSC SMD2520P		
Frequency Range	80.000~170.000MHz (AT1)		
Frequency Stability	≥ ± 30ppm/≥ ± 35ppm		
Operating Temperature Range	-20°C~70°C/-40°C~85°C		
Output Load	50 ± 0.5 Ω ( Supply VDD-2V to end point )		
Input Current	≤ 80mA		
Supply Voltage	3.3V ± 10%		
Start-up Time	3ms Max		
Duty Cycle	40%~60% Normal, 45%~55% Tight		
Rise/Fall Time	2ns Max		
Output "H" Level	MIN	TYP	MAX
	2.275	2.35	2.42
Output "L" Level	MIN	TYP	MAX
	1.49	1.6	1.68
Tri-state	Pin1: 0.7 VDD Min(High) or open, Output: Enable		
RMS	Pin1: 0.3 VDD Max(Low), Output: Disable		
Jitter	1.0ps Max		
Aging	± 3ppm/year Max		
Storage Temperature Range	-55°C~125°C		

# Crystal Clock Oscillators

### OSCSMD (2520P)



### TEST CIRCUIT



### TAPE AND REEL DIMENSIONS

