
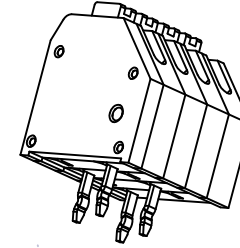
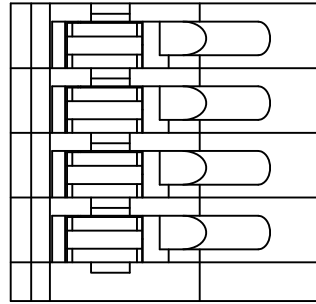



HSF

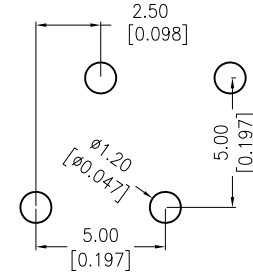
NOTES:

Rated Current:5 AMP
 Rated Voltage:300 V
 Contact Resistance:20 mΩ max
 Withstand Voltage:2000 V AC/DC
 Insulation Resistance:500 MΩ min
 Operation Temperature:-40℃ to +105℃
 Wire Range:20~24 AWG 

Insulator Material:PA66 +20%GF(UL94 V-0)
 Cover Material:PA66 +20%GF(UL94 V-0)
 Push Pole Material:PA66 +20%GF(UL94 V-0)
 Terminal Material:Phosphor Bronze
 Terminal Plating:Bright Tin Plated Over Nickel



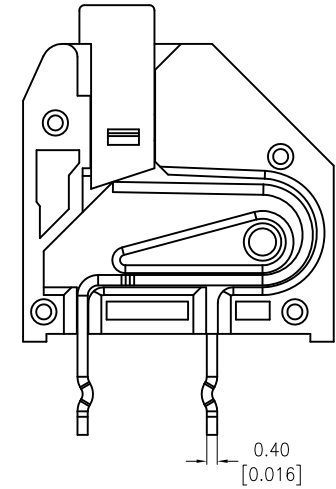
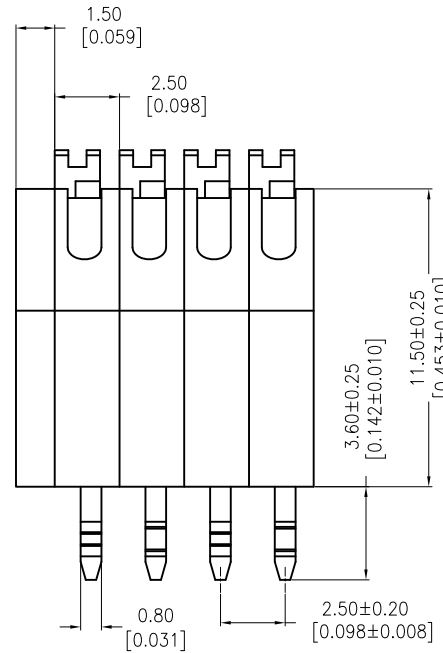
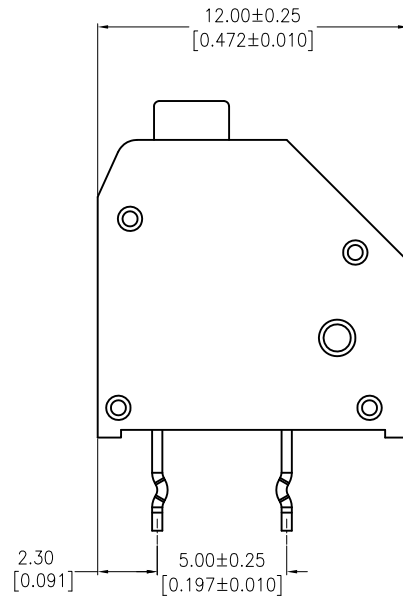
Recommended P.C.B Layout(Top Side)
 (PCB BOARD TOLERANCE±0.05) 



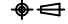


Ordering Information:

MH 250 - 115 S XX X XX 1 N

Pitch 250=2.50 Housing High 115=11.50 No.of Pins Color G=Grey A=Green Contact Plated SN=Bright Tin



REV	DATE	MODIFICATION DESCRIPTION	CHANGE	OPERATION	DRAW	DATE	SCALE	FIT	PART NO.
A2	2015/12/09	Modify		X.X ±0.40	JYHuang	2015/12/09	UNIT	mm	MH250-115SXXXXX1N
A1	2015/09/08	Modify		X.XX ±0.25	CHECK	DATE	SIZE	A4	
A0	2015/07/13	NEW	—	X.XXX ±0.15	APPROVE	DATE	SHEET	1/1	TITLE: 2.50mm Pitch Merge Terminal Block
				Angle ± 3'			PROJ.		Customer NO.
				DIM TOL					