

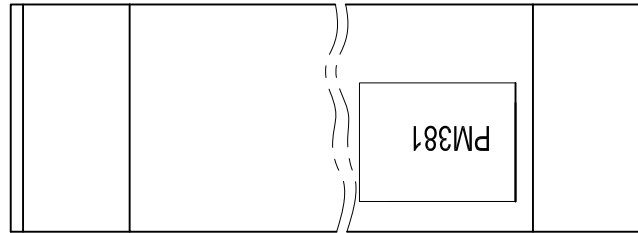
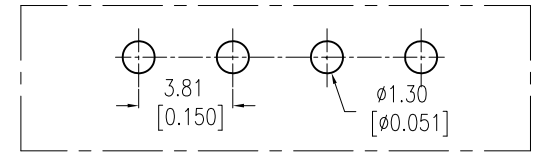
HSF

NOTES:

Current Rating:8A
 Voltage Rating:300V
 Contact Resistance:8milliohm Max
 Withstand Voltage:AC2000V
 Insulation Resistance:1000Megohm Min
 Operation Temperature:-40°C to +105°C

Housing Material:PA66+30%GF(UL94V-0) $\Delta 2$
 Contact Material:Brass
 Inlay Material:Brass

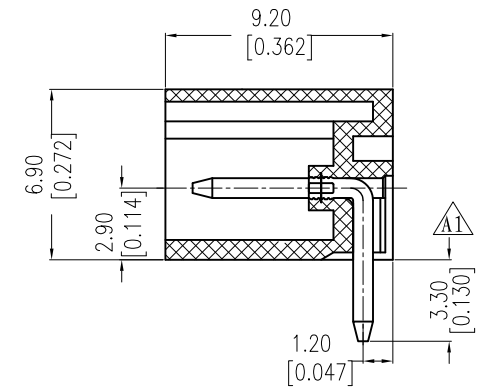
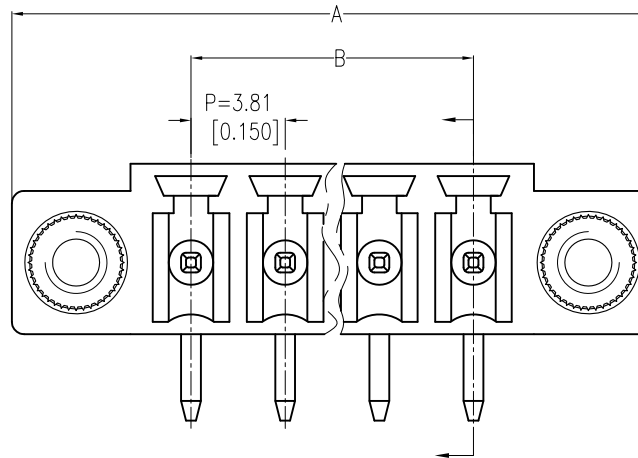
Recommended P.C.B Layout(Top Side)
 (PCB BOARD TOLERANCE ± 0.05)



Ordering Information:

P M 381 - 1 R XX A SM 2

M=Male Pitch 381=3.81
 No. of Pins 02-20P Color A=Green Contact Plated SM=Matte Tin Series No.



11P	51.90 ±0.30	38.10 ±0.30			
10P	48.09 ±0.30	34.29 ±0.30	20P	86.19 ±0.40	72.39 ±0.40
9P	44.28 ±0.30	30.48 ±0.30	19P	82.38 ±0.40	68.58 ±0.40
8P	40.47 ±0.30	26.67 ±0.30	18P	78.57 ±0.40	64.77 ±0.40
7P	36.66 ±0.20	22.86 ±0.20	17P	74.76 ±0.40	60.96 ±0.40
6P	32.85 ±0.20	19.05 ±0.20	16P	70.95 ±0.40	57.15 ±0.40
5P	29.04 ±0.20	15.24 ±0.20	15P	67.14 ±0.40	53.34 ±0.40
4P	25.23 ±0.20	11.43 ±0.20	14P	63.33 ±0.30	49.53 ±0.30
3P	21.42 ±0.20	7.62 ±0.20	13P	59.52 ±0.30	45.72 ±0.30
2P	17.61 ±0.20	3.81 ±0.10	12P	55.71 ±0.30	41.91 ±0.30
位数	A	B	位数	A	B

ITEM	Pitch	Mating
Standard	3.81	PF381
Alternate		

REV	DATE	MODIFICATION DESCRIPTION	CHANGE	OPERATION	DRAW	DATE	SCALE	FIT	PART NO.
A3	2014/04/15	Modify The Dimension	$\Delta 3$	x.X ±0.40	Allen	2014/04/15	UNIT	mm	PM381-1RXXASM2
A2	2013/06/05	Modify The Housing Material	$\Delta 2$			x.XX ±0.25	CHECK	DATE	
A1	2013/04/24	Modify The Dimension 3.50 To 3.30	$\Delta 1$	x.XXX ±0.15	APPROVE		DATE	A4	
A0	2012/05/16	NEW		Angle ± 3°			SHEET	1/1	Customer NO.
				DIM TOL			PROJ.		