

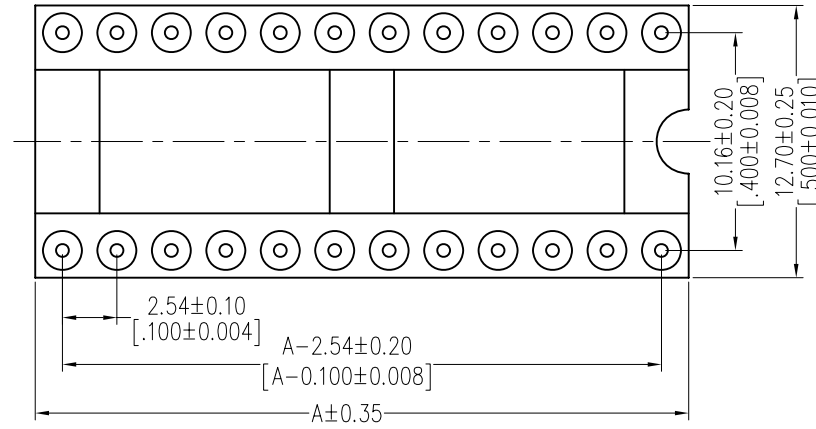
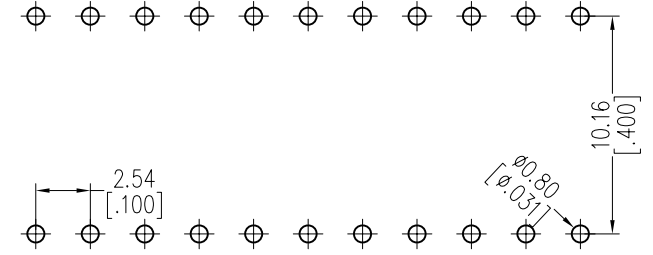
HSF

TECHNICAL SPECS:

Current Rating: 1.0AMP
 Contact Resistance: 10m Ω Max
 Dielectric Strength: Min 1000Vrms
 Mechanical Life: Min 100 cycles
 Connecting Pin: Ø0.64mm
 Operation Temperature: -40°C to +105%

Contact: Brass CuZn36Pb3(C36000)
 Contact plating: Au or Sn over Ni
 Insulator Material: PPS+30%G.F(UL94V-0)

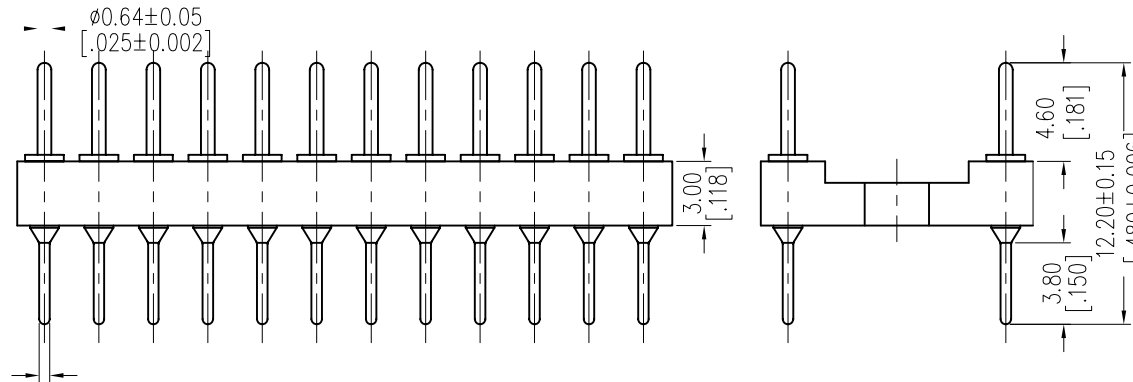
Recommended P.C.B Layout (Top Side)
 (PCB BOARD TOLERANCE ±0.05)



Ordering Information

3560-303 XX S XX 122 X 1

Row of Pitch: 3=10.16mm
 No. of Pin: See tab
 Contact Plating: G0=Gold Flash, G3=10u"Gold, G4=15u"Gold, G5=30u"Gold
 Packing: T=Tube, A=Tray



Dimensional & Ordering Information

NO. of Poles	Part No.	Dim
		A
20	3560-30320SXX122X1	25.40
22	3560-30322SXX122X1	27.94
24	3560-30324SXX122X1	30.48
28	3560-30328SXX122X1	35.56
32	3560-30332SXX122X1	40.64

REV	DATE	MODIFICATION DESCRIPTION	CHANGE	OPERATION	DRAW	DATE	SCALE	FIT	PART NO.
A0	2012/11/05	NEW	-----	x.x ±0.40	JYHuang	2012/11/05	UNIT mm		SEE TAB
				x.xx ±0.25	CHECK	DATE	SIZE A4		TITLE:
				x.xxx ±0.15	APPROVE	DATE	SHEET 1/1		2.54mm MACHINED ADAPTER CONNECTOR
				Angle ± 3'			PROJ. ⌀		180° H=3.0 L=12.2 Row of Pitch 10.16
				DIM TOL					Customer NO.