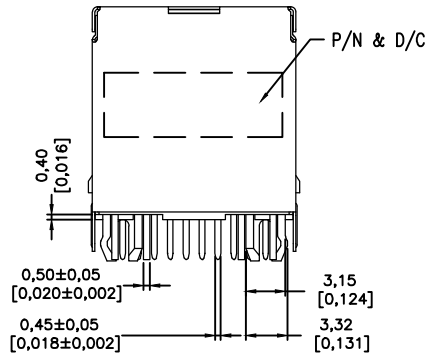
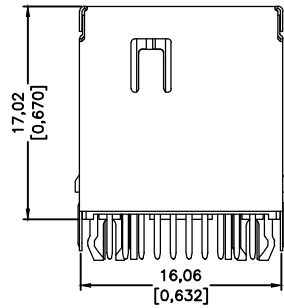
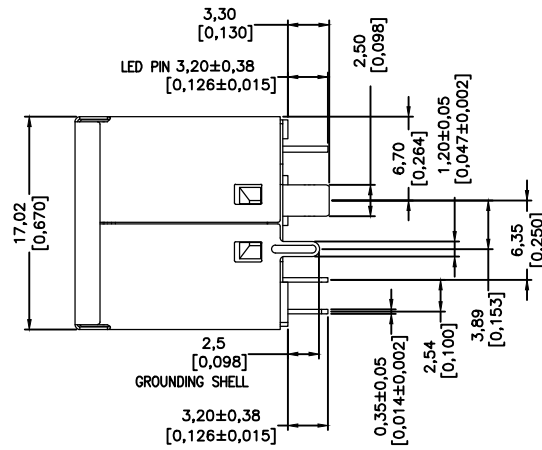
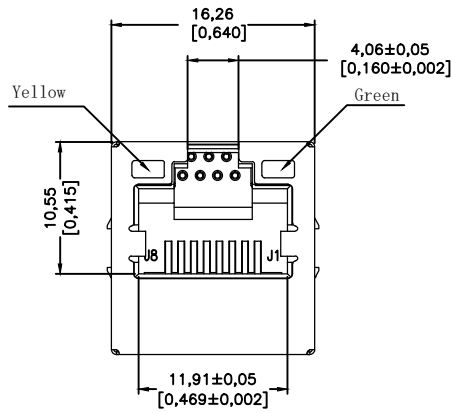
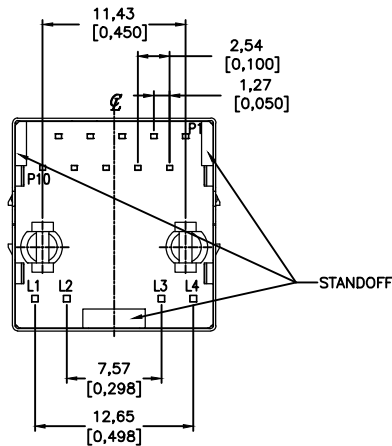


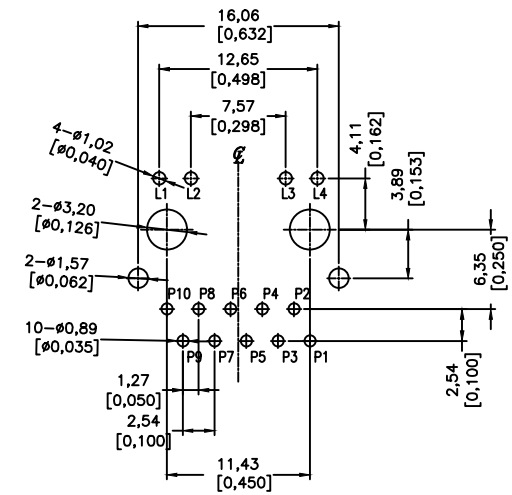
MECHANICAL DRAWINGS:



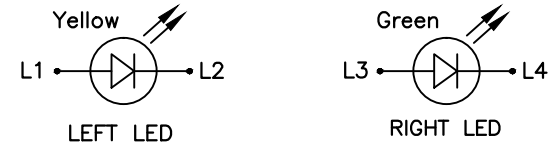
BACK VIEW



PCB LAYOUT & LED ILLUSTRATE:



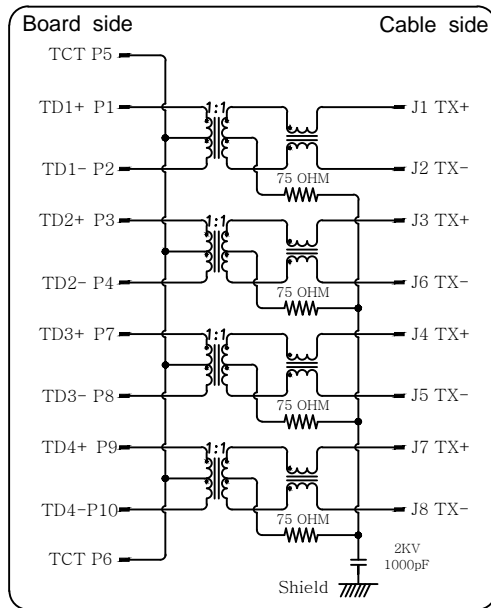
RECOMMENDED PCB LAYOUT
(COMPONENT SIDE VIEW)
TOLERANCE:±0.05[0.002]



Emitting Color	λ_p (nm)	V_f @ $I_f=20mA$	I_r @ $V_r=5V$
Green	565	1.7V~2.6V	10 μ A max.
Yellow	585	1.7V~2.6V	10 μ A max.

QUALITY SYMBOLS MAJOR CRITICAL	DRAWN BY: DENG JIANXIANG DATE: '180521	
	CHECKED BY: TENG CHANG HO DATE: '180521	
GENERAL TOLERANCES (UNLESS SPECIFIED) X. ±XXX .X ±0.38 .XX ±0.20 .XXX ±XXX ANGLES ±1°	APPROVED BY: KUO JUNG HSUN DATE: '180521	SIZE: A4 DWG NO.: 30838-XXXXXXX-XXX
	UNITS: mm SCALE: 1:1	SHEET NO.: 1 OF 2 REV: 1 PART NO.: SEE NOTES

SCHEMATIC FOR RJ45:



ELECTRICAL CHARACTERISTICS :

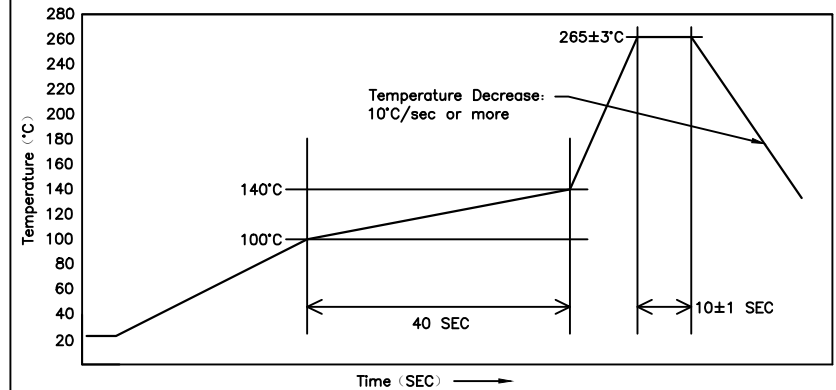
1. INSERTION LOSS :
 - 1~100 MHz -1.0dB MAX
2. RETURN LOSS(LOAD 100Ω) :
 - 1~30 MHz -18dB MIN
 - 30~60 MHz -16dB MIN
 - 60~80 MHz -12dB MIN
 - 80~120 MHz -10dB MIN
3. COMMON MODE REJECTION
 - 1~100 MHz -30dB MIN
4. CROSS TALK
 - 1~100 MHz -30dB MIN
5. INDUCTANCE @ 100KHz, 0.1V, 8mA DC BIAS
 - (P1-P2),(P3-P4),(P7-P8),(P9-P10) : 350 uH MIN
6. DCR
 - (J1-J2),(J3-J6),(J4-J5),(J7-J8): 1.2 Ohm MAX
7. HI-POT TEST
 - BOARD SIDE TO CABLE SIDE : 1500VAC 60S OR 2250VDC 60S
8. TURNS RATION 100KHz
 - (P1-P2) : (J1-J2) = 1:1 ±%3
 - (P3-P4) : (J3-J6) = 1:1 ±%3
 - (P7-P8) : (J4-J5) = 1:1 ±%3
 - (P9-P10) : (J7-J8) = 1:1 ±%3

SPECIFICATIONS :

1. MATERIAL
 - HOUSING : THERMOPLASTIC, UL 94V-0
 - SPACER : THERMOPLASTIC, UL 94V-0
 - RJ CONTACTS : PHOSPHOR BRONZE
PLATING : GOLD FLASH ON CONTACT AREA,
100u" MIN TIN PLATING ON SOLDER TAILS,
30u"MIN NICKEL OVERALL
 - SOLDER TAIL TERMINAL : BRASS
PLATING : 100u"MIN TIN , 30u" MIN NICKEL OVERALL
 - SHIELD : STAINLESS, THICKNESS=0.2mm, PRE-SOLDERING
2. RJ45 SPECIFICATIONS
 - INSULATION RESISTANCE : 500 MOHMS MIN
 - INSERTION FORCE WITH THE LATCH DEPRESSED :22N MAX
 - REMOVAL FORCE WITH THE LATCH DEPRESSED :44N MAX
 - LOCKING FORCE OF PLUG LATCH: 50N MIN
 - DURABILITY :750 CYCLES
3. OPERATING AND STORAGE TEMPERATURE
 - OPERATING TEMPERATURE : 0°C TO +70°C
 - STORAGE TEMPERATURE : -40°C TO +85°C
4. TEMPERATURE CONDITION OF WAVE SOLDERING:

Note:

The measuring point for the specified temperature shall be on the soldered part of the lead.



P/N RULE CODE:

30838-A 9B AA 1 00 T -001

- 001: NORMAL
- PACKING:
T: TRAY PACKAGE
MECHANICAL SERIES
- PLATING CODE:
1: GOLD FLASH
- CIRCUIT TYPE: 10/100/1000 Base-T
- LED CODE
9B: L=YELLOW, R=GREEN, POLARITY REVERSE
- A: MODULE+ROHS

QUALITY SYMBOLS MAJOR CRITICAL	DRAWN BY DENG JIANXIANG	DATE '180521	ACES ELECTRONICS
	CHECKED BY TENG CHANG HO	DATE '180521	
GENERAL TOLERANCES (UNLESS SPECIFIED)	APPROVED BY KUO JUNG HSUN	DATE '180521	
X. ±XXX .X ±0.38 .XX ±0.20 .XXX ±XXX ANGLES ±1°	UNITS mm	SIZE A4	DWG NO. 30838-XXXXXXXX-XXX
	SCALE 1:1	SHEET NO. 2 OF 2	REV 1 PART NO. SEE NOTES