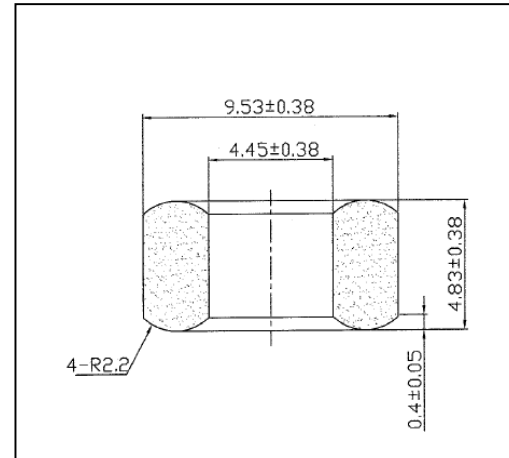


CORE SETS

Effective core parameters

SYMBOL	PARAMETER	VALUE	UNIT
$\Sigma(I/A)$	core factor(C_1)	19.12	cm^{-1}
le	effective length	2.18	cm
Ae	effective area	0.114	cm^2
Ve	effective volume	0.248	cm^3



dimension	before coating	after coating
OD	9.53±0.15	9.53±0.38
ID	4.45±0.15	4.45±0.38
HT	4.83±0.20	4.83±0.38

Characteristic

GRADE	AL(nH/N ²)	CORE LOSS(mW) Max		
	f=10KHz V= 0.05V	f=100KHz B=14mT T=25°C	f=250KHz B=10mT T=25°C	f=500KHz B=5mT T=25°C
-2	7.4			
-8	20	8.68	12.30	6.94
-18	36	13.12	18.55	10.56
-26	49	23.68	49.92	39.66
-28				
-30				
-33				
-34				
-35				
-38				
-40	41.5	36.21	76.88	62.74
-52	49	16.54	27.11	17.98